



TACTICAL SERIES COPBOX CABINET



DRAGE SOLUTIONS • THE MOST RESPECTED NAME IN MOBILE ALUMINUM STORAGE SOLUTIONS • THE MOST RESPECTED

ONLY FROM CTECH

CopBox

*124 lbs

CABINETS TACTICAL STORAGE®

mid size suv: **T40-301**

T40-302

full size suv: **T47-301**

T47-302

20" H x 40" W x 30" D



TACTICAL: MID SIZE SUV

T40-301

TACTICAL Characteristics

20" Tall

Designed for an officer needing more gear. When you are a Rural officer carrying more gear is essential to performing your job. Some of this additional gear may include SWAT, Crime Scene, or any other additional duty equipment plus your everyday patrol equipment.

- Maintains full visibility out of rear of vehicle.
- Lightweight construction, easily removed if spare tire is needed
- 20" tall gives more storage, great mid sized CopBox
- Inverted Top offers quick access to gear



TACTICAL: FULL SIZE SUV

T47-302

148 lbs



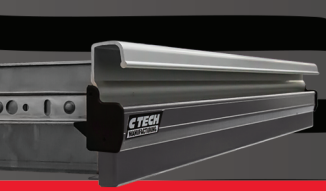
20" H x 47" W x 30" D



ONLY FROM CTECH **MotionLatch™** Drawer & Door System US Patent 6,547,289

weights displayed with (*) are approximate
different door/drawer configurations can fluctuate weight slightly.

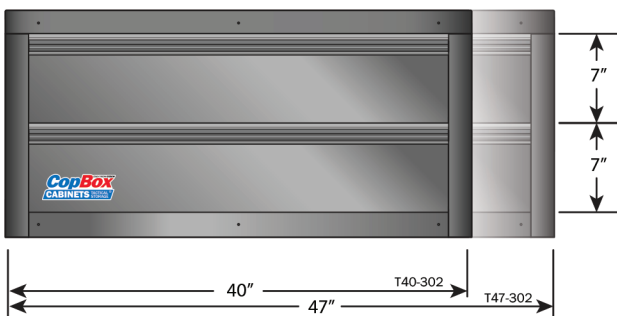
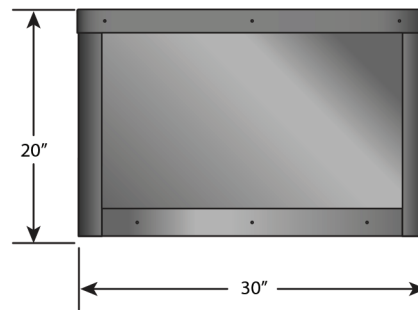
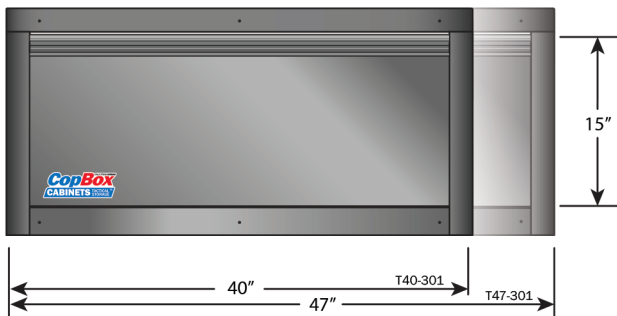
112016



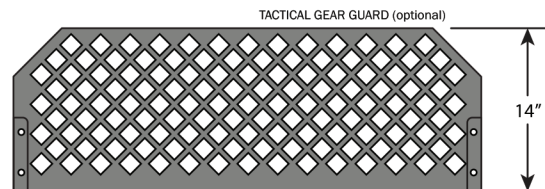
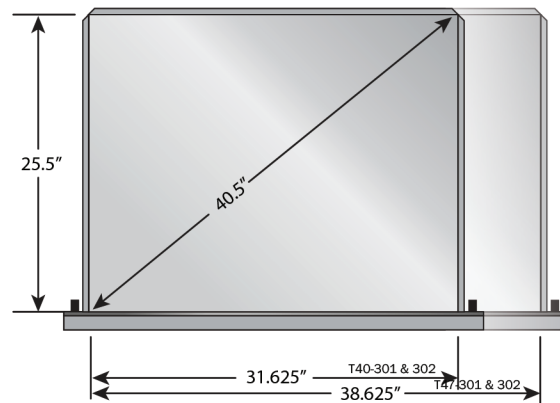
TACTICAL SERIES COPBOX CABINET



ORAGE SOLUTIONS • THE MOST RESPECTED NAME IN MOBILE ALUMINUM STORAGE SOLUTIONS • THE MOST RESPECTED



INTERIOR DRAWER DIMENSIONS



ONLY FROM **CTECH**



STANDARD FEATURES:

- Lightweight All Aluminum Construction
- MotionLatch™ Doors and Drawers
- Extruded Aluminum Radius Corners
- Tough Powder Coat Finish

- Drawer Liner
- Drawer / Door Locks
- Front to Back Drawer Dividers

LIFETIME WARRANTY

Proprietary Notice

This drawing and the text, design, and concepts herein are the property of CTECH Trailer Cabinets, a division of Greenheck Racing. Any reproduction, distribution, or forwarding of this document to persons or organizations for any reason without written permission from CTECH is prohibited.