



WE BUILD IT BETTER

CTECH
MANUFACTURING



TACTICAL CATALOG

With a passion for racing, Jim Greenheck, CTech Manufacturing President/ Owner, needed a quality storage solution when on the road with his drag car. Jim sought after his own design and built the first CTech cabinet. He took into consideration "MOBILE APPLICATION" when engineering the first CTech products and that still holds true to this day.

*CTech was developed to be lighter, stronger, and of a higher quality than what was available. With new innovations to our products over time the base framework for the mobile application has stayed the same allowing CTech to gain the reputation of being **the most respected storage solution in the market.***

We now offer all aluminum carts, cabinet, drawers and tactical cabinets which cover a number of different industries. Our products have been used in a variety of mobile and stationary applications.

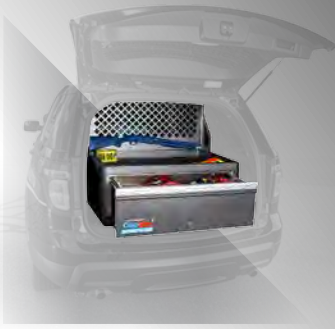
CTECH stays engaged with customers to deliver new and innovative solutions every day. From major race teams to global energy companies, our people, technology, and engineering practices allow us to continue this trend of innovation.



**WE BUILD
IT BETTER**

**NO MATTER WHAT INDUSTRY
WE GUARANTEE A SUPERIOR PRODUCT**





FEATURES:	6-9	OPTIONS:	18-19
COPBOX CABINETS:	10-17	MODEL OVERVIEW:	20-21
<i>metro series:</i>	11	CUSTOM TACTICAL:	22-25
<i>responder series:</i>	11	<i>truck/suv:</i>	22-23
<i>patrol series:</i>	12	<i>large truck/van:</i>	24-25
<i>tactical series:</i>	12-13	PRODUCT PORTFOLIO:	26-27
<i>command series:</i>	14-15	POLICIES & PROCEDURES:	28
<i>scale series:</i>	15	CTECH ADVANTAGE:	29
<i>commander series:</i>	16		
<i>fire series:</i>	16		



TACTICAL S



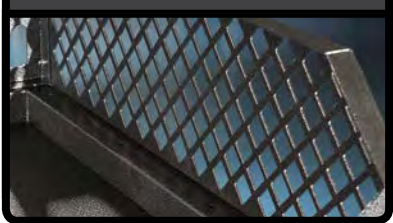
LAW ENFORCEMENT INSP

SOLUTIONS



IRE - INDUSTRY PROVEN

Gear Guard (option)
- Gear guard helps secure equipment.



Extruded Aluminum Frame *
-lightweight aluminum cabinet frame is pound for pound stronger than most steel alloys.



Inverted Top
- Designed for optimal storage capabilities, deep enough to secure equipment on top.



Body Panels
- Tough powder coat aluminum double walled doors for strength and rigidity.
.090" extrusions
.080" body panels
.080" drawer body



MotionLatch™ Drawers *
- ONE HAND - ONE MOTION opening function lets you grab anywhere on the extruded aluminum handle and effortlessly open our 250lb rated drawers.



QuickLink Mounting Plate *
- The key feature to a transferable cabinet and quick installation on the CTech CopBox Cabinet.

TACTICAL

5052
ALUMINUM
BODY PANELS

EXTRUDED
ALUMINUM FRAME



RADIUS CORNERS
FASTENER ASSEMBLED

FEATURES WITH (*) CAN BE SEEN IN THE EXPANDED FEATURE DESCRIPTIONS ON THE FOLLOWING PAGES



Engineered with strong aluminum extrusions

MOTIONLATCH™ DRAWERS & DOORS

- Offers a ONE HAND - ONE MOTION operation even with a handful of tools
- No pinching, no squeezing, no twisting, just pull the handle and the latches release
- MotionLatch™ opening function lets you grab anywhere on the extruded aluminum handle and effortlessly open our 250lb rated drawers

CTECH EXCLUSIVE

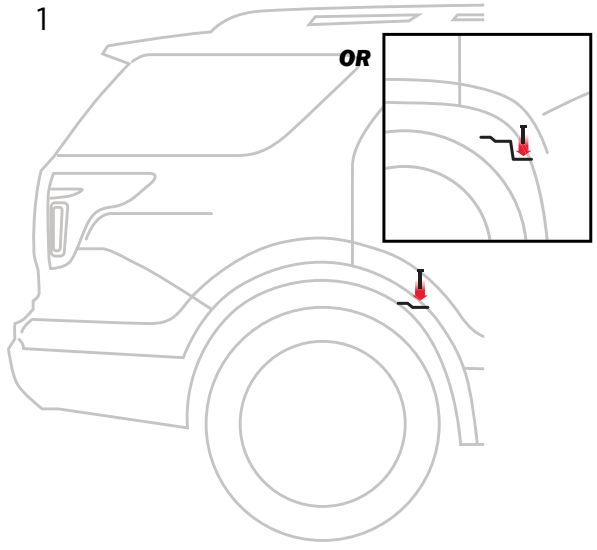
MotionLatch™

Drawer & Door System

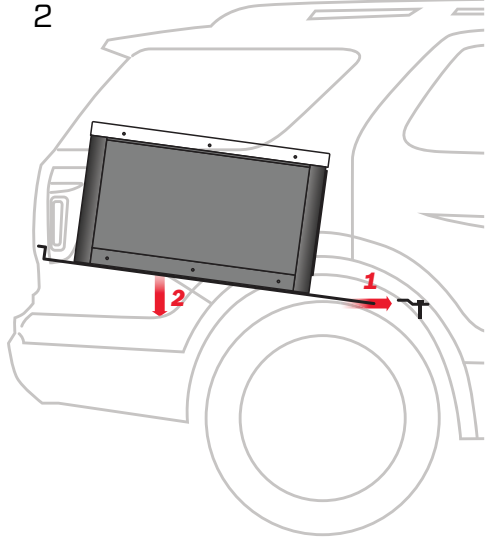
US Patent 6,547,289



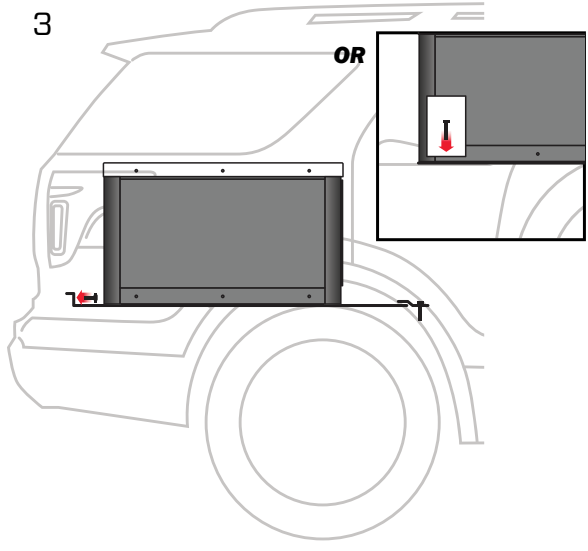
Dual composite latches stay closed



Dodge Durango



Ford Interceptor Utility

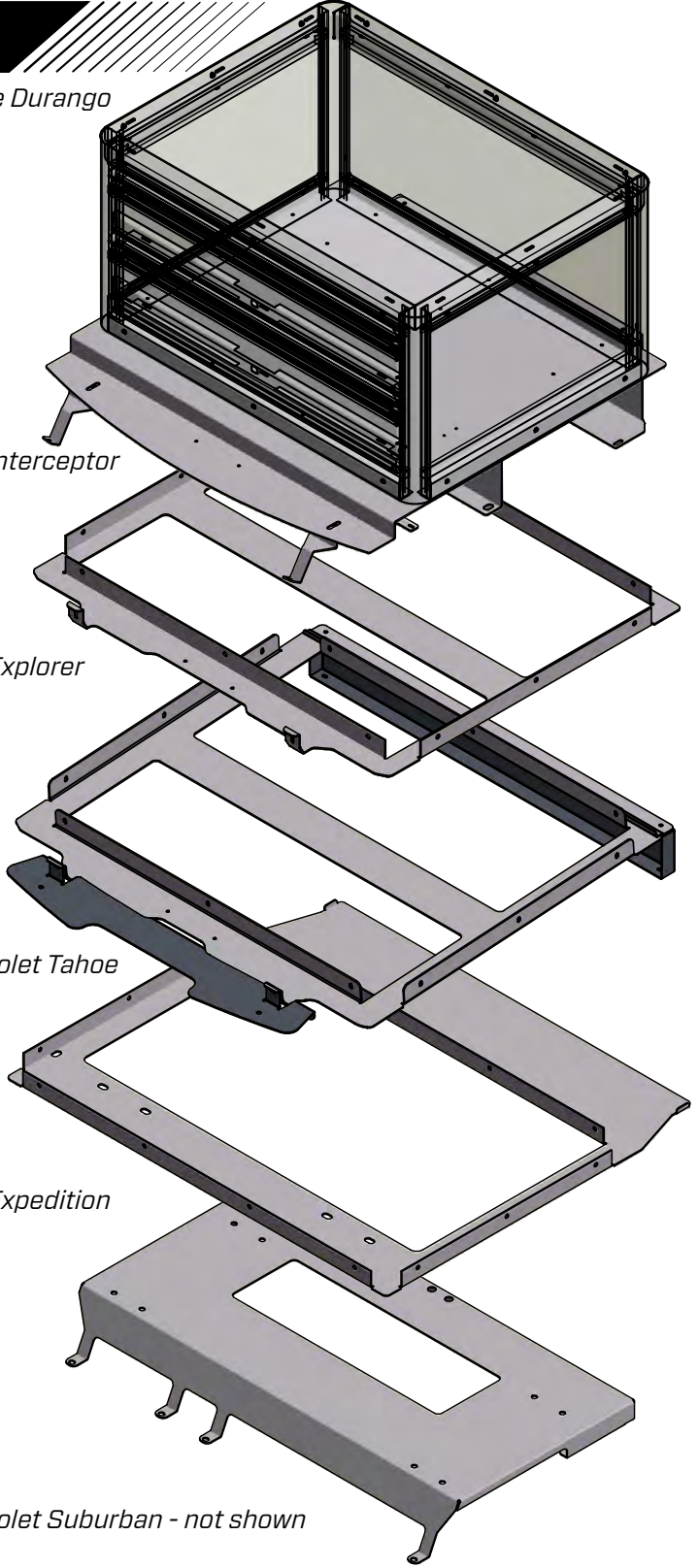


Ford Explorer

Chevrolet Tahoe

Ford Expedition

Chevrolet Suburban - not shown



QUICKLINK MOUNTING SYSTEM

- Allows universal mounting between vehicles
- FAST & EASY installation and removal
- Factory mounting locations
- No modifications to vehicle needed
- Switch vehicle manufacturers and just replace the QuickLink plate to fit the new vehicle



COPBOX CABINETS



COPBOX CABINET:

-With increasing utilization of SUVs as Police Pursuit Vehicles; focusing on organization and safety are crucial. CTECH's lightweight aluminum CopBox Cabinet is designed to ensure safety for the officers while increasing efficiency and value to the fleet.

- SAFETY - SECURITY - EFFICIENCY - VALUE -



SPECIFICATIONS:	M40-301
WIDTH	40
HEIGHT	12
DEPTH	30
SPARE TIRE ACCESS	NO
# OF DRAWERS	0
NET WEIGHT	61lbs
MSRP	\$750

METRO SERIES - M40-301

- Interior dimensions: 37W x 12H x 27D
- Lockable Flip Lid
- Gas shock stays
- QuickLink Mounting System
- Universal fitment, MID & Full size SUVs

SPECIFICATIONS:	R40-301
WIDTH	40
HEIGHT	12
DEPTH	30
SPARE TIRE ACCESS	NO
# OF DRAWERS	1
NET WEIGHT	73lbs
MSRP	\$1250

RESPONDER SERIES - R40-301

- MotionLatch™ Drawer
- Interior dimensions: 31.625W x 6H x 25.5D (40.5 diagonal)
- QuickLink Mounting System
- Universal fitment, MID & Full size SUVs



SPECIFICATIONS:	R47-301
WIDTH	47
HEIGHT	12
DEPTH	30
SPARE TIRE ACCESS	NO
# OF DRAWERS	1
NET WEIGHT	80lbs
MSRP	\$1450

RESPONDER SERIES - R47-301

- MotionLatch™ Drawer
- Interior dimensions: 38.625W x 6H x 25.5D (44 diagonal)
- QuickLink Mounting System
- Full size SUVs



SPECIFICATIONS:	P40-301
WIDTH	40
HEIGHT	16
DEPTH	30
SPARE TIRE ACCESS	YES
# OF DRAWERS	1
NET WEIGHT	82lbs
MSRP	\$1695

PATROL SERIES - P40-301

- MotionLatch™ Drawer
- Interior dimensions: 31.625W x 6H x 25.5D (40.5 diagonal)
- QuickLink Mounting System
- Universal fitment, MID & Full size SUVs



SPECIFICATIONS:	R47-301
WIDTH	47
HEIGHT	16
DEPTH	30
SPARE TIRE ACCESS	NO
# OF DRAWERS	1
NET WEIGHT	90lbs
MSRP	\$1995

PATROL SERIES - P47-301

- MotionLatch™ Drawer
- Interior dimensions: 38.625W x 10H x 25.5D (44 diagonal)
- QuickLink Mounting System
- Full size SUVs



SPECIFICATIONS:	T40-301
WIDTH	40
HEIGHT	20
DEPTH	30
SPARE TIRE ACCESS	NO
# OF DRAWERS	1
NET WEIGHT	124lbs
MSRP	\$1995

TACTICAL SERIES - T40-301

- MotionLatch™ Drawer
- Interior dimensions: 31.625W x 14H x 25.5D (40.5 diagonal)
- QuickLink Mounting System
- Universal fitment, MID & Full size SUVs





SPECIFICATIONS:	T40-302
WIDTH	40
HEIGHT	20
DEPTH	30
SPARE TIRE ACCESS	NO
# OF DRAWERS	2
NET WEIGHT	148lbs
MSRP	\$2295

TACTICAL SERIES - T40-302

- MotionLatch™ Drawer
- Interior dimensions: #1 - 31.625W x 7H x 25.5D (40.5 diagonal), #2 - 31.625W x 7H x 25.5D (40.5 diagonal)
- QuickLink Mounting System
- Universal fitment, MID & Full size SUVs

SPECIFICATIONS:	T47-301
WIDTH	47
HEIGHT	20
DEPTH	30
SPARE TIRE ACCESS	NO
# OF DRAWERS	1
NET WEIGHT	132lbs
MSRP	\$2295

TACTICAL SERIES - T47-301

- MotionLatch™ Drawer
- Interior dimensions: 38.625W x 14H x 25.5D (44 diagonal)
- QuickLink Mounting System
- Universal fitment, MID & Full size SUVs



SPECIFICATIONS:	T47-302
WIDTH	47
HEIGHT	20
DEPTH	30
SPARE TIRE ACCESS	NO
# OF DRAWERS	2
NET WEIGHT	164lbs
MSRP	\$2499

RESPONDER SERIES - R47-301

TACTICAL SERIES - T40-302

- MotionLatch™ Drawer
- Interior dimensions: #1 - 38.625W x 7H x 25.5D (44 diagonal), #2 - 38.625W x 7H x 25.5D (44 diagonal)
- QuickLink Mounting System
- Universal fitment, MID & Full size SUVs



SPECIFICATIONS:	C40-301
WIDTH	40
HEIGHT	26
DEPTH	30
SPARE TIRE ACCESS	NO
# OF DRAWERS	2
NET WEIGHT	156lbs
MSRP	\$2699

COMMAND SERIES - C40-301

- MotionLatch™ Drawer & Door
- Interior dimensions: #1 - 13.28W x 9H x 25.5D, #2 - 13.28W x 12H x 25.5D
- Adjust-a-loc shelving in opening
- QuickLink Mounting System
- Universal fitment, MID & Full size SUVs



SPECIFICATIONS:	C40-302
WIDTH	40
HEIGHT	26
DEPTH	30
SPARE TIRE ACCESS	NO
# OF DRAWERS	3
NET WEIGHT	168lbs
MSRP	\$2875

COMMAND SERIES - C40-302

- MotionLatch™ Drawer & Door
- Interior dimensions: #1 - 13.28W x 5H x 25.5D, #2 - 13.28W x 12H x 25.5D, #3 - 13.28W x 4H x 25.5D
- Adjust-a-loc shelving in opening
- Flip up whiteboard
- QuickLink Mounting System
- Universal fitment, MID & Full size SUVs

SPECIFICATIONS:	C47-301
WIDTH	47
HEIGHT	26
DEPTH	30
SPARE TIRE ACCESS	NO
# OF DRAWERS	2
NET WEIGHT	166lbs
MSRP	\$2895

COMMAND SERIES - C47-301

- MotionLatch™ Drawer & Door
- Interior dimensions: #1 - 13.28W x 9H x 25.5D, #2 - 13.28W x 12H x 25.5D
- Adjust-a-loc shelving in opening
- QuickLink Mounting System
- MID & Full size SUVs





SPECIFICATIONS:	C47-302
WIDTH	47
HEIGHT	26
DEPTH	30
SPARE TIRE ACCESS	NO
# OF DRAWERS	3
NET WEIGHT	180lbs
MSRP	\$2995

COMMAND SERIES - C47-302

- MotionLatch™ Drawer & Door
- Interior dimensions: #1 - 13.28W x 5H x 25.5D, #2 - 13.28W x 12H x 25.5D, #3 - 13.28W x 4H x 25.5D
- Adjust-a-loc shelving in opening
- Flip up whiteboard
- QuickLink Mounting System
- Full size SUVs

SPECIFICATIONS:	PS40-302
WIDTH	40
HEIGHT	16
DEPTH	30
SPARE TIRE ACCESS	YES
# OF DRAWERS	1
NET WEIGHT	62lbs
MSRP	\$1949

PATROL SCALE SERIES - PS40-302

- MotionLatch™ Drawer and Door
- Interior dimensions: 38.625W x 3H x 25.5D (44 diagonal)
- HAENNI Scale mounts (up to 6 scales)
- QuickLink Mounting System
- Universal fitment, MID & Full size SUVs



SPECIFICATIONS:	CS40-301
WIDTH	40
HEIGHT	26
DEPTH	30
SPARE TIRE ACCESS	NO
# OF DRAWERS	1
NET WEIGHT	164lbs
MSRP	\$2349

COMMAND SCALE SERIES - CS40-301

- MotionLatch™ Drawer
- Interior dimensions: 38.625W x 12H x 25.5D (44 diagonal)
- HAENNI Scale mounts (up to 6 scales)
- QuickLink Mounting System
- Universal fitment, MID & Full size SUVs

SPECIFICATIONS:	C45-401
WIDTH	45
HEIGHT	26
DEPTH	40
SPARE TIRE ACCESS	NO
# OF DRAWERS	3
NET WEIGHT	226lbs
MSRP	\$3195



COMMANDER SERIES - C45-401

- MotionLatch™ Drawer and Door
- Interior dimensions: #1 - 17.5W x 8H x 35.5D, #2 - 17.5W x 13H x 35.5D, #3 - 13W x 6H x 35.5D
- HAENNI Scale storage behind door (up to 4 scales)
- QuickLink Mounting System
- Gear Guard (standard)
- Full size SUVs



SPECIFICATIONS:	F47-351
WIDTH	47
HEIGHT	26
DEPTH	35
SPARE TIRE ACCESS	NO
# OF DRAWERS	4
NET WEIGHT	215lbs
MSRP	\$ CALL

FIRE SERIES - F47-351

- MotionLatch™ Drawer
- MotionLatch™ accessory rack
- Interior dimensions: NA
- Flip up whiteboard
- QuickLink Mounting System
- Full size SUVs



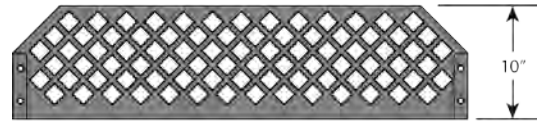
COPBOX OPTIONS

* ANY STANDARD PRODUCT CAN BE CUSTOMIZED TO YOUR SPECIFIC NEEDS, PLEASE CALL 715-355-8842 AND TALK TO YOUR CTECH REPRESENTATIVE TODAY. *

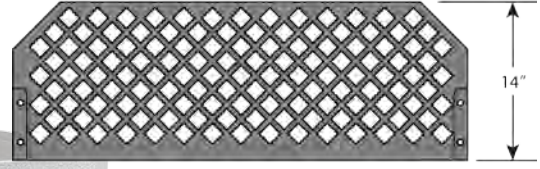
CARGO DIVIDER:



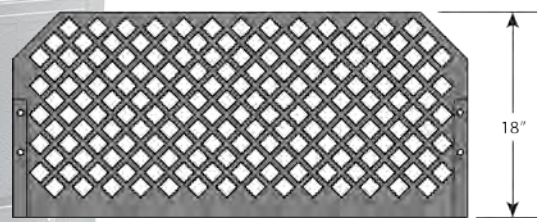
COMMAND SERIES: optional



TACTICAL SERIES: optional



PATROL SERIES: optional



RESPONDER SERIES: NA
METRO SERIES: NA

Added security for gear being stored on the top of the CopBox Cabinet - \$199

ELECTRONICS STORAGE:



Easy accessible organized storage for your electronics - \$199

LIFT ASSIST:



Enables easy access to the spare tire on applicable models - \$199 *Metro Series only (Standard on Patrol and Responder Series)

UNIVERSAL FLOOR MOUNT:



Standard equipment (QuickLink Mounting plate) is removed and replaced with a standard floor. This allows universal mounting to any flat surface.



<i>SERIES</i>	METRO	RESPONDER	PATROL	TACTICAL	TACTICAL
<i>MODEL #</i>	M40-301	R40-301 R47-301	P40-301 P47-301	T40-301 T47-301	T40-302 T47-302
<i>DIMENSIONS</i>	40W x 12H x 30D	40W x 12H x 30D 47W x 12H x 30D	40W x 16H x 30D 47W x 16H x 30D	40W x 20H x 30D 47W x 20H x 30D	40W x 20H x 30D 47W x 20H x 30D
<i>INTERIOR DRAWER DIMENSIONS</i>	NO DRAWER INTERIOR COMPARTMENT 37"W x 12"H x 27"D 44.5" diagonal	MID: 31.625"W x 6"H x 25.5"D 40.5" diagonal FULL: <u>ADD 7"</u> to width	MID: 31.625"W x 10"H x 25.5"D 40.5" diagonal FULL: <u>ADD 7"</u> to width	MID: 31.625"W x 14"H x 25.5"D 40.5" diagonal FULL: <u>ADD 7"</u> to width	MID: #1 - 31.625"W x 7"H x 25.5"D #2 - 31.625"W x 7"H x 25.5"D 40.5" diagonal FULL: <u>ADD 7"</u> to width
<i>WIDE BODY</i>	NO	YES R47-301	YES P47-301	YES T47-301	YES T47-302
<i>GEAR GUARD</i>	NO	NO	YES - 18"	YES - 14"	YES - 14"
<i>ELECTRONIC COVER</i>	NO	NO	YES	YES	YES
<i>SPARE TIRE</i>	YES	YES	YES	NO	NO
<i>VEHICLE SIZE</i>	40" wide - MID-SIZE 47" wide - FULL-SIZE	40" wide - MID-SIZE 47" wide - FULL-SIZE	40" wide - MID-SIZE 47" wide - FULL-SIZE	40" wide - MID-SIZE 47" wide - FULL-SIZE	40" wide - MID-SIZE 47" wide - FULL-SIZE
<i>FEATURES</i>	Powder Coat, Liner, QuickLink Mounting, Locking Flip Lid	Powder Coat, Liner, Dividers, Locking, QuickLink Mounting	Powder Coat, Liner, Dividers, Locking, QuickLink Mounting	Powder Coat, Liner, Dividers, Locking, QuickLink Mounting	Powder Coat, Liner, Dividers, Locking, QuickLink Mounting
<i># OF DRAWERS</i>	0	1	1	1	2
<i># OF DOORS</i>	0	0	0	0	0
<i>WEIGHT</i>	61 lbs	73 lbs	82 lbs	124 lbs	148 lbs
<i>MSRP \$</i>	MID-FULL SIZE \$750.00	MID-SIZE \$1250.00 FULL-SIZE \$1450.00	MID-SIZE \$1695.00 FULL-SIZE \$1995.00	MID-SIZE \$1995.00 FULL-SIZE \$2199.00	MID-SIZE \$2295.00 FULL-SIZE \$2499.00

QTY of 5 or more may be subject to discount.



COMMAND	COMMAND	PATROL SCALE	COMMAND SCALE	COMMANDER *
C40-301 C47-301	C40-302 C47-302	PS40-302	CS40-301	C45-401
40W x 26H x 30D 47W x 26H x 30D	40W x 26H x 30D 47W x 26H x 30D	40W x 16H x 30D	40W x 26H x 30D	45W x 26H x 40D
MID: #1 - 13.28"W x 9"H x 25.5"D #2 - 13.28"W x 12"H x 25.5"D NA diagonal FULL: <u>ADD 7"</u> to width	MID: #1 - 13.28"W x 5"H x 25.5"D #2 - 13.28"W x 12"H x 25.5"D #3 - 13.28"W x 4"H x 25.5"D NA diagonal FULL: <u>ADD 7"</u> to width	MID: 31.625"W x 3"H x 25.5"D 40.5" diagonal	MID: 31.625"W x 12"H x 25.5"D 40.5" diagonal	FULL: #1 - 17.5"W x 8"H x 35.5"D #2 - 17.5"W x 13"H x 35.5"D #3 - 13"W x 6"H x 35.5"D 39.375" diagonal (1&2) 37.675" diagonal (3)
YES C47-301	YES C47-302	NO	NO	ONLY WIDE
YES - 10"	YES - 10"	YES - 18"	YES - 10"	YES - 10"
YES	YES	YES	YES	YES
NO	NO	YES	NO	NO
40" wide - MID-SIZE 47" wide - FULL-SIZE	40" wide - MID-SIZE 47" wide - FULL-SIZE	MID to FULL-SIZE	MID to FULL-SIZE	FULL-SIZE
Powder Coat, Liner, Dividers, Locking, QuickLink Mounting	Powder Coat, Liner, Dividers, Locking, Flip-Up Whiteboard, QuickLink Mounting	Powder Coat, Liner, Dividers, Locking, HAENNI Scale Storage QuickLink Mounting	Powder Coat, Liner, Dividers, Locking, HAENNI Scale Storage QuickLink Mounting	Powder Coat, Liner, Dividers, Locking, HAENNI Scale Storage QuickLink Mounting
2	3	1	1	3 (1 electronic, 1 long gun)
1 (1 shelf)	1 (1 shelf)	2	0	1 (4 scale slots)
156 lbs	168 lbs	62 lbs	132lbs	226lbs
MID-SIZE \$2699.00 FULL-SIZE \$2895.00	MID-SIZE \$2875.00 FULL-SIZE \$2995.00	MID-FULL SIZE \$1949.00	MID-FULL SIZE \$2349.00	FULL SIZE \$3195.00*

(*) indicates copbox units available for State Contract or other Qualified Purchases at SPECIAL Pricing. Please contact your representative for details.

Removable truck bed cabinet. This cabinet was designed on fork lift tubes for easy removal for bed use. It has 4 built in D-Rings to strap it into place when installed.



This Jeep Cabinet is designed to fit both 2 door and 4 door applications. The 1 drawer configuration offers secure storage with additional storage on top.



Low profile design to fit under any cap and bed slides allow for secure storage of your gear. This cabinet also features MACs tie down button for addition storage strapping to top.

Crash scene clean up application, utilizing a service body truck.





Bomb Squad Vehicle
-Marathon Oneida County

TACTICAL



Bomb Squad / Mobile CSI Vehicle
-Farmington Police



Mobile Command Center
-U.S. Marshals Service





CARTS

- **RACE**
- **INDUSTRIAL**
- **CUSTOM**



- **GARAGE**
- **SHOP**
- **TRAILER**

CABINETS

DRAWERS

- **HOUSING INSERT**
- **CABINET INSERT**
- **TOOL DRAWER INSERT**



- **LAW ENFORCEMENT**
- **FIRE/EMT**
- **MILITARY**

TACTICAL

For more information on our capabilities check us out at WWW.CTECHMANUFACTURING.COM

CTech Manufacturing Policies and Procedures

Terms - *Standard terms for approved accounts are Net 30-days. Non-compliance to the terms may result in a late fee of up to 2% per month.*

Cancellation and Change Policy - *Orders cancelled more than 24 hours from time of receipt are subject to a cancellation fee of up to 20%. Cancellation or changes must come in writing (not verbal) and be confirmed within 24 hours of the original purchase order being issues to avoid and potential change or cancellation fees.*

Return Policy - *Custom built products are non-returnable. Standard products are subject to a return fee of up to 20% plus the cost of freight to return the product. Products must have been purchased within the past 12 months. All returned products must be in like new, sale-able condition. Any returned products **MUST** have a Return Goods Authorization approved before returning. Any returns without a pre-approved RGA will be rejected and returned to sender.*

Warranty Policy - *CTech Manufacturing offers a limited lifetime warranty* against any manufacturing defects in material or workmanship so long as the original purchaser retains ownership, possession, and control of the product.*

* **Note** - *Slides are a purchased product and are warranted for one year from date of original invoice. Slides are passed through to the original manufacturer for inspection and processing.*

50%

WEIGHT SAVINGS

on average over a steel comparison



CTech Manufacturing is a Wisconsin based company dedicated to customer satisfaction, quality products and industry leading innovations.

WE BUILD IT BETTER

CTECH

We've taken the guess work out - easier to do business with

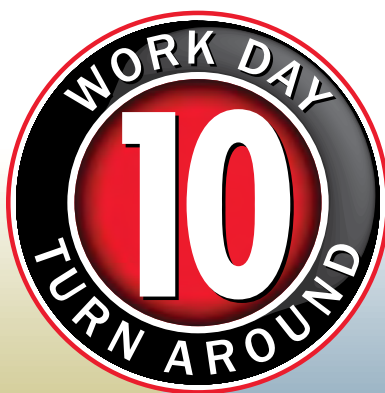
With over 20 years of experience, CTech has established itself as the most respected name in manufactured aluminum carts, cabinets and drawers for mobile applications. Our customer relationships help drive our business in new directions and keep CTech the leader of pack.



QUOTING

Standard product requests will be quoted in 1 working business days time.

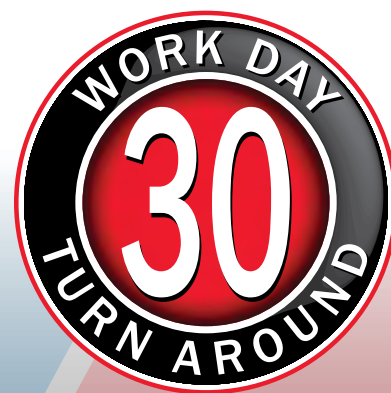
**Custom quoting will require extra time dependent on multiple factors.*



DRAWER UNIT LEAD TIME

Standard product of 10 units or less will ship in 10 days of the order confirmation.

**Custom projects or larger quantity orders are a case by case and lead times will be communicated before the order is placed.*



PRODUCT LEAD TIME

From the time your order with CTECH to the day it ships is 30 days or less.

**Custom projects may take more time due to engineering time.*

WWW.CTECHMANUFACTURING.COM



CTECH Manufacturing
7501 Commerce Dr
Weston, WI 54476
(p) 715-355-8842
(f) 715-355-8932

© All Rights Reserved 2017 CTECH Manufacturing - 092017

CTECH EXCLUSIVE
MotionLatch™
Drawer & Door System
US Patent 6,547,289