



2020-21 BUYER'S GUIDE

OPTIMIZED STORAGE SYSTEMS FOR PUBLIC SAFETY VEHICLES

opspublicsafety.com | 315.595.3300

OUR COMMITMENT TO YOU

OPS Public Safety™ is committed to exceeding your expectations - on every order. Our products ensure the safe and secure storage of essential weapons and gear, while providing quick access and improved safety for personnel in the field.



MADE IN AMERICA

Our ambitions are global, but our storage systems are made local.



QUICK SHIP

Quick shipping is available for a range of our products.



CUSTOMER CARE

With our Customer Care Program, you'll hear from us right away.



LEAN MANUFACTURING

We use 5S principles when manufacturing our products.



ONE-ON-ONE

We work one-on-one with you to design your ideal storage solution.



LIFETIME WARRANTY

The quality of our products ensures Lifetime Warranty.

About Our Company	2-4
SUV SOLUTIONS:	5-15
PIU 2020 Series	5-6
Pursuit Series	7-8
Medium SUV Series	9-10
Large SUV Series	11-12
Mounting Solutions	13
2020 Electronics Storage	14
Barriers	15
CVE Scale Storage	16
Combo Drawer	17
PICKUP SOLUTIONS:	18-19
NEW Secure Underseat Storage	18
MAXX Slide Series	19
VAN & TRAILER INTERIORS:	20-24
Command Interiors	20
Standard Van Packages	21-22
Standard Trailer Packages	23-24
CUSTOM UNITS	25-26
FIRE RESPONSE SOLUTIONS:	27-30
SUV Solutions for Fire	27
MAXX Slide Series for Fire	28
Accessories	29
Photo Gallery	30



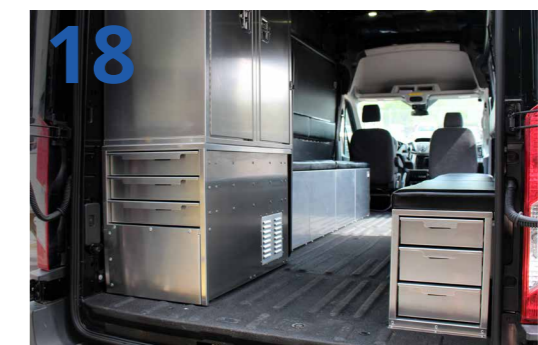
Ford PIU 2020 Series



Pursuit Series



NEW Secure Underseat Storage



Command Interiors

About Our Company

A NOTE FROM OUR CEO

From the first day OPS Public Safety opened for business, it's core focus has been to deliver quality and service to its most valuable asset - the Customer!

Our staff at OPS Public Safety strive every day to ensure products are designed, manufactured and shipped with an exacting attention to the wants of the Customer.

Ultimately, the determining single factor of OPS Public Safety's success is delivering "joy" to the Customer!

Mike Lawrenson, President & CEO



THE HISTORY OF OPS PUBLIC SAFETY



2000
The first aluminum drawer was built for a patrol car.



2006
Ranger Supply branched into two divisions, OPS Inc. which would serve law enforcement agencies, and EZ STAK dealing with truck body builders.

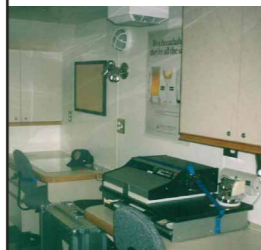


2019
OPS Public Safety opens a 75,000 sq. ft. facility in Watertown, NY. This is the present day manufacturing facility.

1998
Mike Lawrenson started Ranger Supply in Kingston, Ontario from his home garage. A company specializing in outfitting vans and trucks to enhance efficiency on the job for people in the trades.



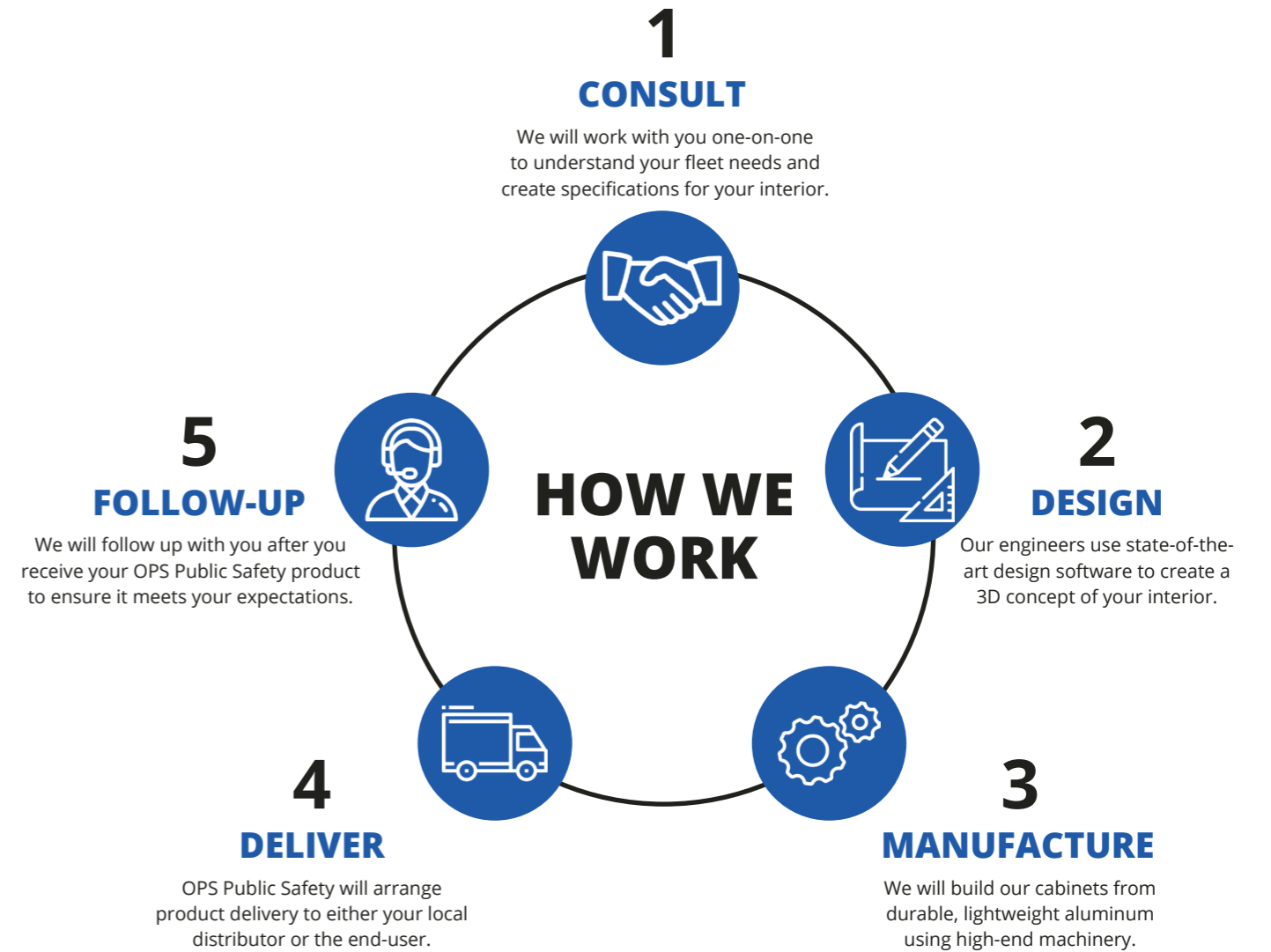
2003
The first trailer interior delivered, a mobile breather unit for a local agency.



2014
OPS Inc. is renamed to OPS Public Safety. OPS Public Safety opens a facility in Schaumburg, IL.



Our Process



FITS 2020 FORD INTERCEPTOR

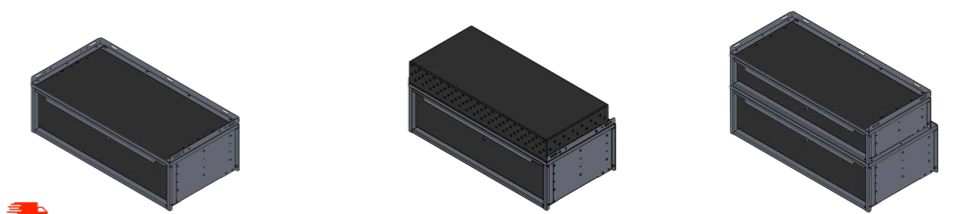
PIU 2020 Series



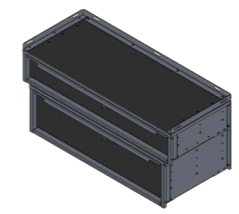
- FEATURES:**
- 0.100 gauge aluminum construction
 - Drawer configuration options: single, stacked, wide stacked, and radio cover
 - Fits with the 2020 flip-up base
 - Black powder coat drawer face & top
 - Cargo rails on three sides, except radio cover
 - 200LBS drawer slides
 - Designed to fit third-party barriers
 - Key lock on all drawers
 - Rubber matting included in all drawer, except radio cover



PIU 2020 SERIES DRAWERS



PART NUMBER	OPS-12-40-20-D	OPS-17.5-40-20-D	OPS-20-40-20-DY
DIMENSIONS	12"H x 40"W x 20"D	17.5"H x 40"W x 20"D	20"H x 40"W x 20"D
SPARE TIRE ACCESS	YES	YES	YES
VEHICLE FITMENT	2020 Ford Interceptor	2020 Ford Interceptor	2020 Ford Interceptor
DESCRIPTION	PIU 2020 12"H single drawer	PIU 2020 12"H single drawer and 5.5"H Radio cabinet	PIU 2020 12"H single drawer with 8"H x 40"W top drawer
FEATURES	<ul style="list-style-type: none"> • Top & drawer face powder coat black • 200lbs drawer slides • Cylinder key lock • Cargo rail on 3 sides • Rubber mat inside drawer 	<ul style="list-style-type: none"> • Top & drawer face powder coat black • 200lbs drawer slides • Cylinder key lock • Rubber mat inside bottom drawer only 	<ul style="list-style-type: none"> • Top & drawer face powder coat black • 200lbs drawer slides • Cylinder key locks • Cargo rail on 3 sides • Rubber mat inside both drawers
INSIDE DRAWER DIMENSIONS	Single: 8.725"H x 36.3"W	Top: 5.5"H x 39.51"W Bottom: 8.725"H x 36.3"W	Top: 4.725"H x 36.3"W Bottom: 8.725"H x 36.3"W
MOUNTING BASE	FIU-2020-100	FIU-2020-100	FIU-2020-100
BARRIER COMPATIBILITY	OPS-SUVM-SBD(12) Pro-gard/Setina Barriers	Pro-gard/Setina Barriers	OPS-PIU-SBD(20) Pro-gard/Setina Barriers
WEIGHT	70LBS	81LBS	115LBS



PART NUMBER	OPS-20-44-20-DY
DIMENSIONS	20"H x 44"W x 20"D
SPARE TIRE ACCESS	YES
VEHICLE FITMENT	2020 Ford Interceptor
DESCRIPTION	PIU2020 12"H single drawer with 8"H x 44"W top drawer
FEATURES	<ul style="list-style-type: none"> • Top & drawer face powder coat black • 200lbs drawer slides • Cylinder key locks • Cargo rail on 3 sides • Rubber mat inside both drawers
INSIDE DRAWER DIMENSIONS	Top: 4.725"H x 40.3"W Bottom: 8.725"H x 36.3"W
MOUNTING BASE	FIU-2020-100
BARRIER COMPATIBILITY	OPS-PIU-SBD(20) Pro-gard/Setina Barriers
WEIGHT	122LBS

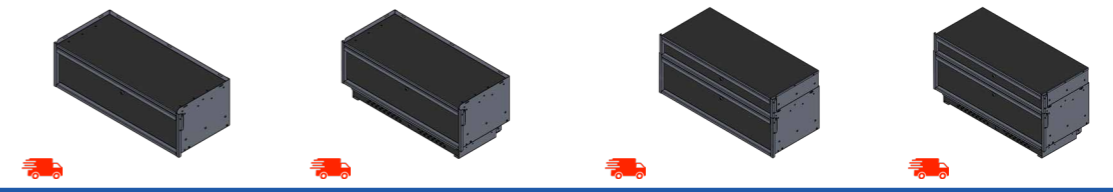


FITS FORD INTERCEPTOR, DODGE DURANGO & CHEVY TAHOE

Pursuit Series

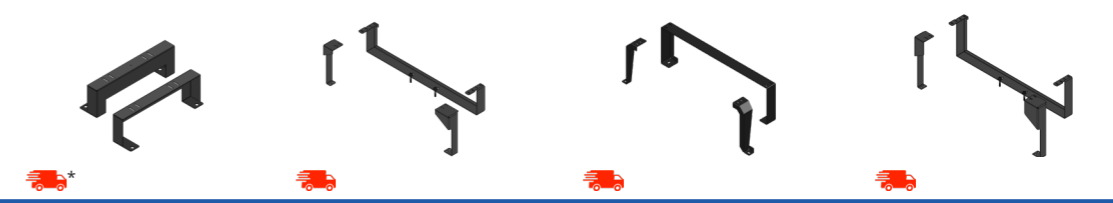


PURSUIT SERIES DRAWERS



PART NUMBER	PDU-12.5-42-18-001	PDU-16.5-42-18-DY-R	PDU-18.5-42-18-001	PDU-22.5-42-18-DY-R
DIMENSIONS	12.5"H x 42"W x 18"D	16.5"H x 42"W x 18"D	18.5"H x 42"W x 18"D	22.5"H x 42"W x 18"D
SPARE TIRE ACCESS	YES	YES	YES	YES
VEHICLE FITMENT	≤ 2020 Interceptor ≤ 2020 Durango ≤ 2020 Tahoe	≤ 2020 Interceptor ≤ 2020 Durango ≤ 2020 Tahoe	≤ 2020 Interceptor ≤ 2020 Durango ≤ 2020 Tahoe	≤ 2020 Interceptor ≤ 2020 Durango ≤ 2020 Tahoe
DESCRIPTION	Pursuit Single Drawer with 12.5"H drawer	Pursuit Drawer, 12.5"H drawer & 4"H radio tray	Pursuit Drawer, 6" top drawer & 12.5"H bottom drawer	Pursuit Drawer, 6" top drawer, 12.5" bottom drawer & 4"H radio tray
FEATURES	<ul style="list-style-type: none"> • Top & drawer face powder coat black • 200lbs drawer slides • Cylinder key lock • Cargo rail on 3 sides • Rubber mat inside drawer 	<ul style="list-style-type: none"> • Top & drawer face powder coat black • 200lbs drawer slides • Cylinder key lock • Cargo rail on 3 sides • Rubber mat inside drawer, except radio tray 	<ul style="list-style-type: none"> • Top & drawer face powder coat black • 200lbs drawer slides • Cylinder key locks • Rubber mat inside drawers 	<ul style="list-style-type: none"> • Top & drawer face powder coat black • 200lbs drawer slides • Cylinder key locks • Rubber mat inside drawers except radio tray
INSIDE DRAWER DIMENSIONS	Single: 10.15"H x 38.5"W	Top: 10.15"H x 38.5"W Bottom: 3.65"H x 34.67"W	Top: 4.78"H x 38.14"W Bottom: 10.15"H x 38.5"W	Top: 4.78"H x 38.14"W Bottom: 10.15"H x 38.5"W Radio: 3.65"H x 34.67"W
BRACKET NEEDED (CHOOSE ONE)	<ul style="list-style-type: none"> • PDU-FIU-8-BR2020 • PDU-FIU-12 • PDU-FIU-12-BR2020 • PDU-DDU-8 • PDU-CTU-6 • PDU-CTU-12 	<ul style="list-style-type: none"> • PDU-FIU-8-BR2020 • PDU-FIU-12 • PDU-FIU-12-BR2020 • PDU-DDU-8 • PDU-CTU-6 • PDU-CTU-12 	<ul style="list-style-type: none"> • PDU-FIU-8-BR2020 • PDU-DDU-8 • PDU-CTU-6 	<ul style="list-style-type: none"> • PDU-FIU-8-BR2020 • PDU-DDU-8 • PDU-CTU-6
BARRIER COMPATIBILITY	Pro-gard/Setina Barriers	Pro-gard/Setina Barriers	Pro-gard/Setina Barriers	Pro-gard/Setina Barriers
WEIGHT	55LBS	75LBS	90LBS	100LBS

PURSUIT SERIES ELEVATED BRACKETS



PART NUMBER	PDU-FIU-6 PDU-CTU-6*	PDU-FIU-8-BR2020 PDU-DDU-8	PDU-FIU-12 PDU-CTU-12	PDU-FIU-12-BR2020
DIMENSIONS	6"H	8"H	12"H	12"H
SPARE TIRE ACCESS	YES	YES	YES	YES
VEHICLE FITMENT	≤ 2019 Ford Interceptor ≤ 2020 Chevy Tahoe	2020+ Ford Interceptor ≤ 2020 Dodge Durango	≤ 2019 Ford Interceptor ≤ 2020 Chevy Tahoe	2020+ Ford Interceptor
DESCRIPTION	PIU 6"H brackets Tahoe 6"H brackets	PIU 2020 8"H brackets Durango 8"H brackets	PIU 12"H brackets Tahoe 12"H brackets	PIU 2020 12"H brackets
WEIGHT	5LBS	17LBS / 18LBS	24LBS / 21LBS	9LBS

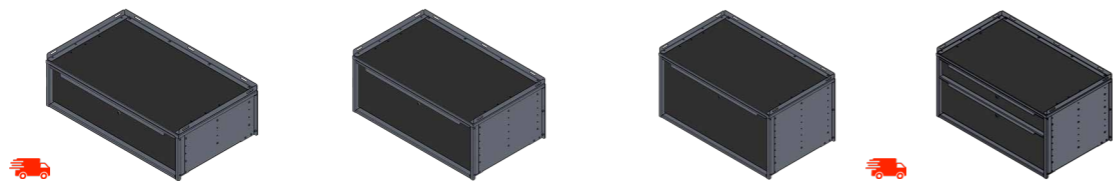
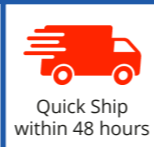
FEATURES:

- Budget friendly drawer series
- 0.080 gauge aluminum construction
- Heavy duty ball bearing slides - 200lbs capacity
- 4 drawer configurations, see page 8
- Cylinder key lock to keep gear out of the wrong hands
- Elevated mounting brackets for easy access to spare tire and extra storage under the unit
- Black powder coating on drawer faces and top
- Rubber matting to minimize noise and sliding of objects

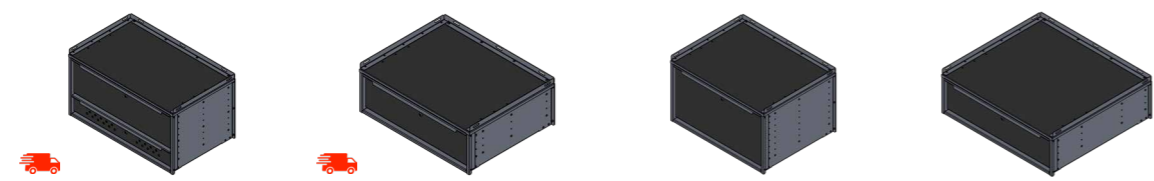


FITS FORD INTERCEPTOR & DODGE DURANGO

Medium SUV Drawers



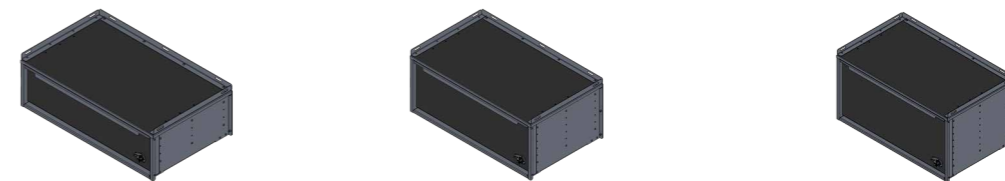
PART NUMBER	OPS-12-40-24-D	OPS-16-40-24-D	OPS-20-40-24-D	OPS-20-40-24-DY
DIMENSIONS	12"H x 40"W x 24"D	16"H x 40"W x 24"D	20"H x 40"W x 24"D	20"H x 40"W x 24"D
VEHICLE FITMENT	≤ 2020 Ford Interceptor	≤ 2020 Ford Interceptor	≤ 2020 Ford Interceptor	≤ 2020 Ford Interceptor
DESCRIPTION	SUVM Single 12"H drawer	SUVM Single 16"H drawer	SUVM Single 20"H drawer	SUVM Stacked 20"H drawer w/ 6" top & 12" bottom drawer
FEATURES	<ul style="list-style-type: none"> • Top & drawer face powder coat black • 200lbs drawer slides • Cargo rail on 3 sides • Rubber mat inside drawer 	<ul style="list-style-type: none"> • Top & drawer face powder coat black • 200lbs drawer slides • Cargo rail on 3 sides • Rubber mat inside drawer 	<ul style="list-style-type: none"> • Top & drawer face powder coat black • 200lbs drawer slides • Cargo rail on 3 sides • Rubber mat inside drawer 	<ul style="list-style-type: none"> • Top & drawer face powder coat black • 200lbs drawer slides • Cargo rail on 3 sides • Rubber mat inside drawers
INSIDE DRAWER DIMENSIONS	Single: 8.725H x 36.3"W	Single: 12.725"H x 36.3"W	Single: 16.725"H x 36.3"W	Top: 4.725"H x 36.3"W Bottom: 10.725"H x 36.3"W
MOUNTING BASE	2020: FIU-2020-100 ≤ 2019: FIU-0000	2020: FIU-2020-100 ≤ 2019: FIU-0000	2020: FIU-2020-100 ≤ 2019: FIU-0000	2020: FIU-2020-100 ≤ 2019: FIU-0000
DIVIDER KIT	2003255	2003259	2003257	2003261 (top drawer only) 2003255 (bottom drawer only)
EXTRA DIVIDERS	2002670	2002721	2002672	2002326 (top drawer only) 2002670 (bottom drawer only)
BARRIER	OPS-SUVM-SBD(12)	OPS-SUVM-SBD(16)	OPS-SUVM-SBD(20)	OPS-SUVM-SBD(20)
WEIGHT	75LBS	85LBS	94LBS	113LBS



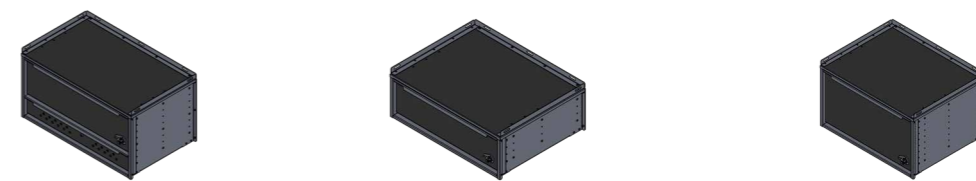
PART NUMBER	OPS-20-40-24-DY-R	OPS-12-36-28-D	OPS-20-36-28-D	OPS-12-40-36-D
DIMENSIONS	20"H x 40"W x 24"D	12"H x 36"W x 28"D	20"H x 36"W x 28"D	12"H x 40"W x 36"D
VEHICLE FITMENT	≤ 2020 Ford Interceptor	≤ 2020 Dodge Durango	≤ 2020 Dodge Durango	≤ 2020 Ford Interceptor
DESCRIPTION	SUVM Stacked 20"H drawer with 12"H top drawer & 6" bottom radio drawer	SUVM Single 12"H x 28"D drawer	SUVM Single 20"H x 28"D drawer	SUVM Single 12"H x 36"D drawer
FEATURES	<ul style="list-style-type: none"> • Top & drawer face powder coat black • 200lbs drawer slides • Cargo rail on 3 sides • Rubber matting inside top drawer only 	<ul style="list-style-type: none"> • Top & drawer face powder coat black • 200lbs drawer slides • Cargo rail on 3 sides • Rubber matting inside drawer 	<ul style="list-style-type: none"> • Top & drawer face powder coat black • 200lbs drawer slides • Cargo rail on 3 sides • Rubber matting inside drawer 	<ul style="list-style-type: none"> • Top & drawer face powder coat black • 500lbs drawer slides • Cargo rail on 3 sides • Rubber matting inside drawer • No spare tire access
INSIDE DRAWER DIMENSIONS	Top: 10.725"H x 36.3"W Bottom: 4.725"H x 36.3"W	Single: 8.725"H x 32.3"W	Single: 16.725"H x 32.3"W	Single: 8.725"H x 36.3"W
MOUNTING BASE	2020: FIU-2020-100 ≤ 2019: FIU-0000	DDU-0000	DDU-0000	2020: FIU-2020 ≤ 2019: FIU-0000
DIVIDER KIT	2003255 (top drawer only)	2003265	2003267	2003255
EXTRA DIVIDERS	2002670 (top drawer only)	2002788	2002782	2002670
BARRIER	OPS-SUVM-SBD(20)	OPS-SUVM-SBD(12)	OPS-SUVM-SBD(20)	OPS-SUVM-SBD(12)
WEIGHT	115LBS	78LBS	97LBS	102LBS

FITS FORD INTERCEPTOR & DODGE DURANGO

Medium SUV with Simplex Lock



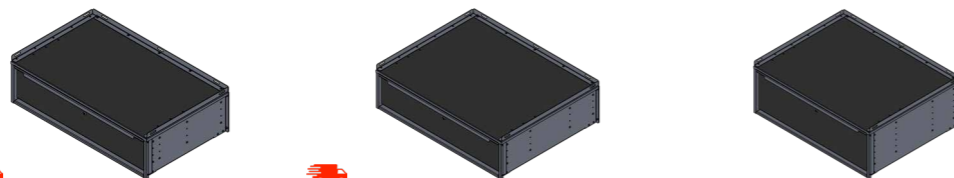
PART NUMBER	OPS-12-40-24-DS	OPS-16-40-24-DS	OPS-20-40-24-DS
DIMENSIONS	12"H x 40"W x 24"D	16"H x 40"W x 24"D	20"H x 40"W x 24"D
VEHICLE FITMENT	≤ 2020 Ford Interceptor	≤ 2020 Ford Interceptor	≤ 2020 Ford Interceptor
DESCRIPTION	SUVM Single 12"H drawer w/ Simplex	SUVM Single 16"H drawer w/ Simplex	SUVM Single 20"H drawer w/ Simplex
FEATURES	<ul style="list-style-type: none"> • Top & drawer face powder coat black • 200lbs drawer slides • Cargo rail on 3 sides • Rubber mat inside drawer • 9100 Simplex Lock 	<ul style="list-style-type: none"> • Top & drawer face powder coat black • 200lbs drawer slides • Cargo rail on 3 sides • Rubber mat inside drawer • 9100 Simplex Lock 	<ul style="list-style-type: none"> • Top & drawer face powder coat black • 200lbs drawer slides • Cargo rail on 3 sides • Rubber mat inside drawer • 9100 Simplex Lock
INSIDE DRAWER DIMENSIONS	Single: 8.725H x 36.3"W	Single: 12.725"H x 36.3"W	Single: 16.725"H x 36.3"W
MOUNTING BASE	2020: FIU-2020-100 ≤ 2019: FIU-0000	2020: FIU-2020-100 ≤ 2019: FIU-0000	2020: FIU-2020-100 ≤ 2019: FIU-0000
DIVIDER KIT	4001308	4001309	4001310
EXTRA DIVIDERS	2002670	2002721	2002672
BARRIER	OPS-SUVM-SBD(12)	OPS-SUVM-SBD(16)	OPS-SUVM-SBD(20)
WEIGHT	75LBS	85LBS	94LBS



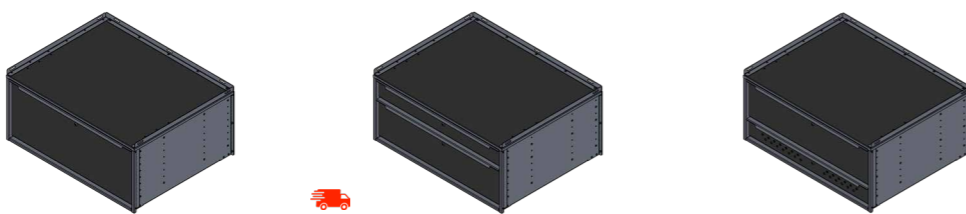
PART NUMBER	OPS-20-40-24-DYS	OPS-12-36-28-DS	OPS-20-36-28-DS
DIMENSIONS	20"H x 40"W x 24"D	12"H x 36"W x 28"D	20"H x 36"W x 28"D
VEHICLE FITMENT	≤ 2020 Ford Interceptor	≤ 2020 Dodge Durango	≤ 2020 Dodge Durango
DESCRIPTION	SUVM Stacked 20"H drawer w/ 12"H top drawer & 6"H radio drawer w/ Simplex	SUVM Single 12"H x 36"W drawer w/ Simplex	SUVM Single 20"H drawer w/ Simplex
FEATURES	<ul style="list-style-type: none"> • Top & drawer face powder coat black • 200lbs drawer slides • Cargo rail on 3 sides • Rubber mat inside drawers • 9100 Simplex Lock (bottom drawer) 	<ul style="list-style-type: none"> • Top & drawer face powder coat black • 200lbs drawer slides • Cargo rail on 3 sides • Rubber mat inside drawer • 9100 Simplex Lock 	<ul style="list-style-type: none"> • Top & drawer face powder coat black • 200lbs drawer slides • Cargo rail on 3 sides • Rubber mat inside drawer • 9100 Simplex Lock
INSIDE DRAWER DIMENSIONS	Top: 4.725"H x 36.3"W Bottom: 10.725"H x 36.3"W	Single: 8.725"H x 32.3"W	Single: 16.725"H x 32.3"W
MOUNTING BASE	2020: FIU-2020-100 ≤ 2019: FIU-0000	DDU-0000	DDU-0000
DIVIDER KIT	4001310 (top drawer) 4001308 (bottom drawer)	4001313	4001314
EXTRA DIVIDERS	2002326 (top drawer) 2002670 (bottom drawer)	2002788	2002782
BARRIER	OPS-SUVM-SBD(20)	OPS-SUVM-SBD(12)	OPS-SUVM-SBD(20)
WEIGHT	113LBS	78LBS	97LBS

FITS CHEVY TAHOE & FORD EXPEDITION

Large SUV Drawers



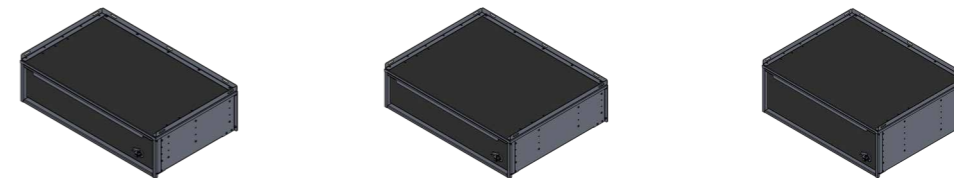
PART NUMBER	OPS-12-46-28-D	OPS-12-46-36-D	OPS-16-46-36-D
DIMENSIONS	12"H x 46"W x 28"D	12"H x 46"W x 36"D	16"H x 46"W x 36"D
VEHICLE FITMENT	≤ 2020 Ford Expedition ≤ 2020 Chevy Tahoe	≤ 2020 Ford Expedition ≤ 2020 Chevy Tahoe	≤ 2020 Ford Expedition ≤ 2020 Chevy Tahoe
DESCRIPTION	SUVL Single Drawer 12"H x 28"D	SUVL Single Drawer 12"H x 36"D	SUVL Single Drawer 16"H x 36"D
FEATURES	<ul style="list-style-type: none"> • Top & drawer face powder coat black • 200lbs drawer slides • Cylinder key lock • Cargo rail on 3 sides • Rubber mat inside drawer 	<ul style="list-style-type: none"> • Top & drawer face powder coat black • 500lbs drawer slides • Cylinder key lock • Cargo rail on 3 sides • Rubber mat inside drawer 	<ul style="list-style-type: none"> • Top & drawer face powder coat black • 500lbs drawer slides • Cylinder key lock • Cargo rail on 3 sides • Rubber mat inside drawer
INSIDE DRAWER DIMENSIONS	Single: 8.725"H x 42.3"W	Single: 8.725"H x 42.3"W	Single: 12.725"H x 42.3"W
MOUNTING BASE	Tahoe: CTU-0000 Expedition: FEU-0000	Tahoe: CTU-0000 Expedition: FEU-0000	Tahoe: CTU-0000 Expedition: FEU-0000
DIVIDER KIT	2003245	2003246	2003247
EXTRA DIVIDERS	2002785	2002785	2002760
BARRIER	OPS-SUVL-SBD(12)	OPS-SUVL-SBD(12)	OPS-SUVL-SBD(16)
WEIGHT	90LBS	110LBS	123LBS



PART NUMBER	OPS-20-46-36-D	OPS-20-46-36-DY	OPS-20-46-36-DY-R
DIMENSIONS	20"H x 46"W x 36"D	20"H x 46"W x 36"D	20"H x 46"W x 36"D
VEHICLE FITMENT	≤ 2020 Ford Expedition ≤ 2020 Chevy Tahoe	≤ 2020 Ford Expedition ≤ 2020 Chevy Tahoe	≤ 2020 Ford Expedition ≤ 2020 Chevy Tahoe
DESCRIPTION	SUVL Single Drawer 20"H x 36"D	SUVL Stacked Drawer with 6"H top drawer & 12"H bottom drawer	SUVL Stacked Radio Drawer with 12"H top drawer & 6"H radio drawer
FEATURES	<ul style="list-style-type: none"> • Top & drawer face powder coat black • 500lbs drawer slides • Cylinder key lock • Cargo rail on 3 sides • Rubber mat inside drawer 	<ul style="list-style-type: none"> • Top & drawer faces powder coat black • 500lbs drawer slides • Cylinder key locks • Cargo rail on 3 sides • Rubber mat inside drawers 	<ul style="list-style-type: none"> • Top & drawer faces powder coat black • 500lbs drawer slides • Cylinder key locks • Cargo rail on 3 sides • Rubber mat inside top drawer only
INSIDE DRAWER DIMENSIONS	Single: 16.725"H x 42.3"W	Top: 4.725"H x 42.3"W Bottom: 10.725"H x 42.3"W	Top: 10.725"H x 42.3"W Bottom: 4.725"H x 42.3"W
MOUNTING BASE	Tahoe: CTU-0000 Expedition: FEU-0000	Tahoe: CTU-0000 Expedition: FEU-0000	Tahoe: CTU-0000 Expedition: FEU-0000
DIVIDER KIT	2003249	2003251 (top drawer only) 2003246 (bottom drawer only)	2003246 (top drawer only)
EXTRA DIVIDERS	2002779	2002425 (top drawer only) 2002785 (bottom drawer only)	2002785 (top drawer only)
BARRIER	OPS-SUVL-SBD(20)	OPS-SUVL-SBD(20)	OPS-SUVL-SBD(20)
WEIGHT	173LBS	167LBS	171LBS

FITS CHEVY TAHOE & FORD EXPEDITION

Large SUV with Simplex Lock

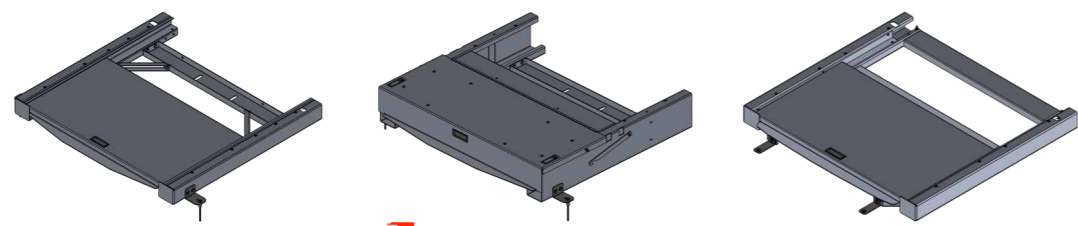


PART NUMBER	OPS-12-46-28-DS	OPS-12-46-36-DS	OPS-16-46-36-DS
DIMENSIONS	12"H x 46"W x 28"D	12"H x 46"W x 36"D	16"H x 46"W x 36"D
VEHICLE FITMENT	≤ 2020 Ford Expedition ≤ 2020 Chevy Tahoe	≤ 2020 Ford Expedition ≤ 2020 Chevy Tahoe	≤ 2020 Ford Expedition ≤ 2020 Chevy Tahoe
DESCRIPTION	SUVL Single Drawer 12"H x 28"D with Simplex	SUVL Single Drawer 12"H x 36"D with Simplex	SUVL Single Drawer 16"H x 36"D with Simplex
FEATURES	<ul style="list-style-type: none"> • Top & drawer face powder coat black • 200lbs drawer slides • Cargo rail on 3 sides • Rubber mat inside drawer • 9100 Simplex Lock 	<ul style="list-style-type: none"> • Top & drawer face powder coat black • 500lbs drawer slides • Cargo rail on 3 sides • Rubber mat inside drawer • 9100 Simplex Lock 	<ul style="list-style-type: none"> • Top & drawer face powder coat black • 500lbs drawer slides • Cargo rail on 3 sides • Rubber mat inside drawer • 9100 Simplex Lock
INSIDE DRAWER DIMENSIONS	Single: 8.725"H x 42.3"W	Single: 8.725"H x 42.3"W	Single: 12.725"H x 42.3"W
MOUNTING BASE	Tahoe: CTU-0000 Expedition: FEU-0000	Tahoe: CTU-0000 Expedition: FEU-0000	Tahoe: CTU-0000 Expedition: FEU-0000
DIVIDER KIT	4001315	4001316	4001318
EXTRA DIVIDERS	2002785	2002785	2002760
BARRIER	OPS-SUVL-SBD(12)	OPS-SUVL-SBD(12)	OPS-SUVL-SBD(16)
WEIGHT	90LBS	110LBS	123LBS

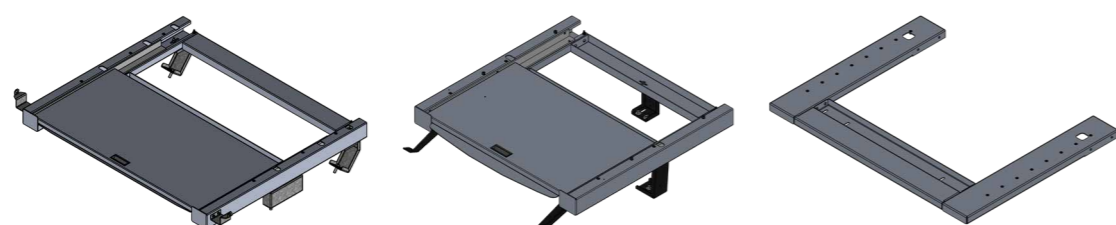


PART NUMBER	OPS-20-46-36-DS	OPS-20-46-36-DYS
DIMENSIONS	20"H x 46"W x 36"D	20"H x 46"W x 36"D
VEHICLE FITMENT	≤ 2020 Ford Expedition ≤ 2020 Chevy Tahoe	≤ 2020 Ford Expedition ≤ 2020 Chevy Tahoe
DESCRIPTION	SUVL Single Drawer 20"H x 36"D with Simplex	SUVL Stacked Drawer with 6"H top drawer & 12"H bottom drawer with Simplex
FEATURES	<ul style="list-style-type: none"> • Top & drawer face powder coat black • 500lbs drawer slides • Cargo rail on 3 sides • Rubber mat inside drawer • 9100 Simplex Lock 	<ul style="list-style-type: none"> • Top & drawer faces powder coat black • 500lbs drawer slides • Cargo rail on 3 sides • Rubber mat inside drawers • 9100 Simplex Lock (bottom drawer)
INSIDE DRAWER DIMENSIONS	Single: 16.725"H x 42.3"W	Top: 4.725"H x 42.3"W Bottom: 10.725"H x 42.3"W
MOUNTING BASE	Tahoe: CTU-0000 Expedition: FEU-0000	Tahoe: CTU-0000 Expedition: FEU-0000
DIVIDER KIT	4001322	4001314 (top drawer) 4001316 (bottom drawer)
EXTRA DIVIDERS	2002779	2002425 (top drawer) 2002785 (bottom drawer)
BARRIER	OPS-SUVL-SBD(20)	OPS-SUVL-SBD(20)
WEIGHT	173LBS	167LBS

Mounting Solutions



PART NUMBER	FIU-2020	FIU-2020-100	FIU-0000
DIMENSIONS	3"H x 40"W x 37"D	7"H x 40"W x 40"D	3"H x 40"W x 37"D
SPARE TIRE ACCESS	NO	YES	YES
VEHICLE FITMENT	2020+ Ford Interceptor	≤ 2020 Ford Interceptor	≤ 2019 Ford Interceptor
DESCRIPTION	PIU 2020 slide base	<ul style="list-style-type: none"> PIU 2020 flip-up base Aluminum flip-up mounting platform 	<ul style="list-style-type: none"> PIU slide base Aluminum slide back mounting platform
DRAWER COMPATIBILITY	<ul style="list-style-type: none"> All 40"W drawers OPS-20-44-20-DY 	<ul style="list-style-type: none"> All 40"W drawers OPS-20-44-20-DY 	<ul style="list-style-type: none"> All 40"W drawers OPS-12-40-36-D (No tire access)
WEIGHT	28LBS	36LBS	29LBS



PART NUMBER	DDU-0000	FEU-0000	CTU-0000
DIMENSIONS	9"H x 36"W x 39"D	3"H x 46"W x 40"D	1.5"H x 47"W x 36"D
SPARE TIRE ACCESS	YES	YES	NO
VEHICLE FITMENT	≤ 2020 Dodge Durango	2018-2020 Ford Expedition	≤ 2020 Chevy Tahoe
DESCRIPTION	<ul style="list-style-type: none"> Durango slide base Aluminum slide back mounting platform 	<ul style="list-style-type: none"> Expedition slide base Aluminum slide back mounting platform 	<ul style="list-style-type: none"> Tahoe brackets Installation bracket for Chevy Tahoe
DRAWER COMPATIBILITY	<ul style="list-style-type: none"> OPS-12-36-28-D OPS-20-36-28-D 	<ul style="list-style-type: none"> All 46"W drawers 	<ul style="list-style-type: none"> All 46"W drawers
WEIGHT	35LBS	37LBS	12.5LBS

*If you require a mounting base for <2017 Ford Expedition, please call us at 315.595.3300

2020 Electronics Storage

PIU 2020 FLIP-UP BASE

Store your electronics under the flip-up base and still have spare tire access.

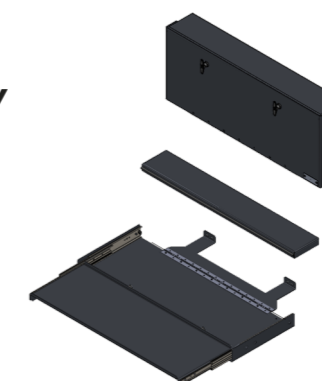
PART NUMBER	FI-2020-100
DIMENSIONS	7"H x 40"W x 40"D
WEIGHT	36LBS
VEHICLE FITMENT	≤ 2020 Ford Interceptor



PARTITION MOUNTED TRAY

Space-saving electronics storage solution that mounts to the back of your partition.

PART NUMBER	C-00000135
DIMENSIONS	16"H x 40"W x 6.5"D
WEIGHT	27LBS
VEHICLE FITMENT	2013-2020 Interceptor



PURSUIT RADIO DRAWER

Budget-conscious storage drawer providing easy access to your electronics.

PART NUMBER	PDU-16.5-42-18-DY-R	PDU-22.5-42-18-DY-R
DIMENSIONS	16.5H x 42"W x 18"D	22.5"H x 42"W x 18"D
WEIGHT	75LBS	109LBS
VEHICLE FITMENT	≤ 2020 Interceptor ≤ 2020 Durango ≤ 2020 Tahoe	≤ 2020 Interceptor ≤ 2020 Durango ≤ 2020 Tahoe



PREMIUM RADIO DRAWER

Heavy-duty electronics storage drawer to keep your stuff safe and secure.

PART NUMBER	OPS-20-40-24-DY-R	OPS-20-46-36-DY-R
DIMENSIONS	20"H x 40"W x 24"D	20"H x 46"W x 36"D
WEIGHT	114LBS	170LBS
VEHICLE FITMENT	≤ 2020 Interceptor	≤ 2020 Tahoe ≤ 2020 Expedition

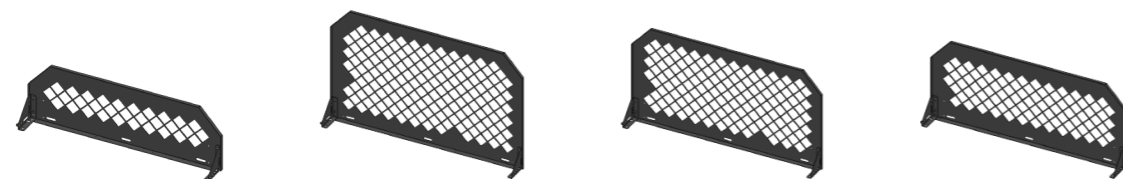


FITS FORD INTERCEPTOR, DODGE DURANGO, CHEVY TAHOE & FORD EXPEDITION

Barriers



PART NUMBER	OPS-PIU-SBD(20)	OPS-SUVM-SBD(12)	OPS-SUVM-SBD(16)
DIMENSIONS	12"H x 44"W	20.5"H x 40"W	16.5"H x 40"W
VEHICLE FITMENT	2020+ Ford Interceptor	≤ 2020 Ford Interceptor ≤ 2020 Dodge Durango	≤ 2020 Ford Interceptor ≤ 2020 Dodge Durango
FEATURES	2" diamond cutout Fits 40"/44" wide cabinets	2" diamond cutout Fits 36"/40" wide cabinets	2" diamond cutout Fits 36"/40" wide cabinets
COMPATIBLE DRAWERS	OPS-20-40-20-DY OPS-20-44-20-DY	OPS-12-40-24-D / DS OPS-12-40-36-D	OPS-16-40-24-D / DS
WEIGHT	5LBS	5.5LBS	5LBS



PART NUMBER	OPS-SUVM-SBD(20)	OPS-SUVL-SBD(12)	OPS-SUVL-SBD(16)	OPS-SUVL-SBD(20)
DIMENSIONS	12.5"H x 40"W	27.6"H x 46"W	23.6"H x 46"W	19.6"H x 46"W
VEHICLE FITMENT	≤ 2020 Ford Interceptor ≤ 2020 Dodge Durango	≤ 2020 Ford Expedition ≤ 2020 Chevy Tahoe	≤ 2020 Ford Expedition ≤ 2020 Chevy Tahoe	≤ 2020 Ford Expedition ≤ 2020 Chevy Tahoe
FEATURES	2" diamond cutout Fits 36"/40" wide cabinets	2" diamond cutout Fits 42"/46" wide cabinets	2" diamond cutout Fits 42"/46" wide cabinets	2" diamond cutout Fits 42"/46" wide cabinets
COMPATIBLE DRAWERS	OPS-20-40-24-D / DS OPS-20-40-24-DY / DYS OPS-20-40-24-DY-R	OPS-12-46-28-D / DS OPS-12-46-36-D / DS	OPS-16-46-36-D / DS	OPS-20-46-36-D / DS OPS-20-46-36-DY / DYS OPS-20-46-36-DY-R
WEIGHT	5LBS	7LBS	6LBS	6LBS



PART NUMBER: CTU-294824-500 (BARRIER INCLUDED)



PART NUMBER: DRAWER - OPS-12-40-24-D
BARRIER - OPS-SUVM-SBD(12)

FITS FORD INTERCEPTOR, CHEVY TAHOE & FORD EXPEDITION

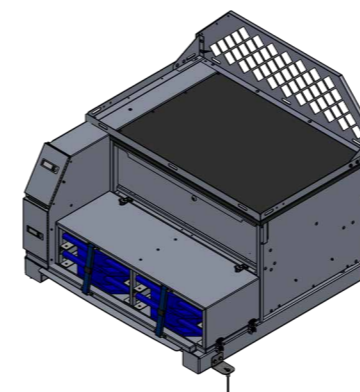
CVE Scale Storage

FEATURES:

- Designed for Commercial Vehicle Enforcement
- Made from 0.100 gauge aluminum
- Cylinder key lock on drawers
- Heavy-duty 200lbs drawer slides
- Detachable scale compartment (PIU)
- Storage drawers
- Holds scales, gear and rifles
- Black powder coat on drawer faces and top
- 3 packages available (below)



PART NUMBER: CTU-224738-500



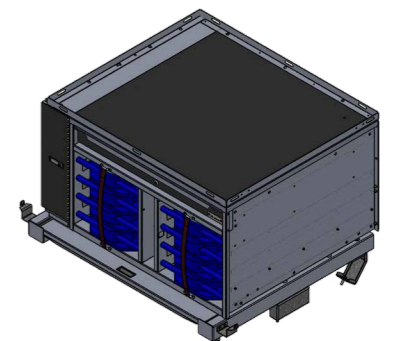
FORD PIU CVE SCALE STORAGE

PART NUMBER	7059
DIMENSIONS	27"H x 40"W x 40"D
WEIGHT	305 LBS
FITMENT	≤ 2020 Ford Interceptor



CHEVY TAHOE CVE SCALE STORAGE

PART NUMBER	CTU-224738-500
DIMENSIONS	22.75"H x 47"W x 40"D
WEIGHT	387 LBS
FITMENT	≤ 2020 Chevy Tahoe



FORD EXPEDITION CVE SCALE STORAGE

PART NUMBER	6875
DIMENSIONS	24"H x 46"W x 38"D
WEIGHT	546 LBS
FITMENT	≤ 2020 Ford Expedition

*See page 25-26 for other custom drawer designs

FITS FORD INTERCEPTOR

Combo Drawer

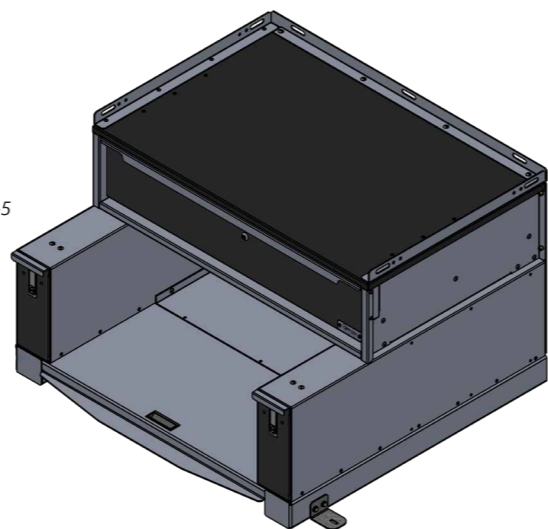


FEATURES:

- Top drawer: 8"H x 40"W x 26"D
- Gun boxes: 12"H x 5"W x 42"D
- 0.100 gauge aluminum construction
- Two gun boxes with gun locks
- 200LBS drawer slides
- Cylinder key lock per drawer
- Cargo rail on top of drawer
- Textured black powder coating
- Rubber matting inside drawer
- Choose vehicle specific base for mounting (page 11)

COMBO DRAWER ▶

Model: OP-FIU-22-40-42-C3-5
22"H x 40"W x 42"D



FITS FORD F150

Secure Underseat Storage



FEATURES:

- Dimensions: 8.5"H x 54"W x 13"D
- Made from 16-gauge steel
- Entire unit powder coated black
- Access tools from either side
- Dual lid operation
- Paddle latches on each lid
- Slam latch feature
- Edge guard to protect fingers
- No drill installation
- Optional: convoluted foam inside

SECURE UNDERSEAT STORAGE

PART NUMBER	OPS-US-FORD-F150
DIMENSIONS	8.5"H x 54"W x 13"D
WEIGHT	46 LBS
FITMENT	2015-2020 Ford F150



▲ **SECURE UNDERSEAT STORAGE**
Model: OPS-US-FORD-F150
8.5"H x 54"W x 13"D

FITS LARGE SUVs, PICKUPS & VANS

MAXX Slide Series

No more reaching in to access your weapons and equipment, the MAXX Slide Series provides 360 degree access. Choose from our standard pre-configured packages to find the perfect storage solution for your equipment.

FEATURES:

- Available in 65", 70", 75" and 90" slide lengths
- Locking mechanism every 16" for safe and secure rolling
- One-handed operation
- Easy installation

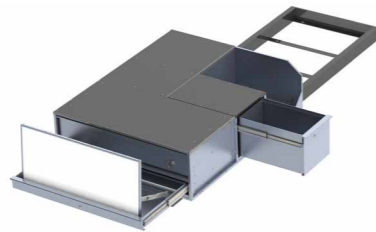


CHOOSE FROM OUR STANDARD PACKAGES



SWAT
4919-A00

Securely store explosives, flash bangs, breaching and forced-entry equipment, vests, armor plates, helmets, and robots.



SWAT COMMANDER
4561-A01

Includes a whiteboard, a weapon drawer, an ammunition storage drawer, a filing drawer, robot storage, and space for SWAT gear.



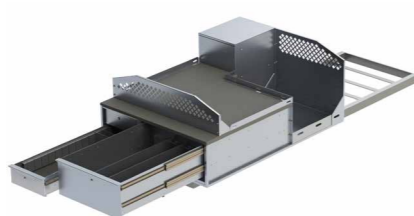
BATTALION CHIEF
4392-A01

Store SCBA and extinguishers, lower sections to secure spinal boards, and adjustable shelving in the rear to hold additional gear.



CVE
TDU-21.5-48-60-700

Secure 4 HAENNI scales, top drawer for inspection equipment, a middle drawer, and 2 compartments for larger items.



BOMB SQUAD
3326-A00

Store weapons, vests, armor plates, and ammo. With an ATF Type 3 cabinet, a robot compartment, and a removable whiteboard.



ACCIDENT RECONSTRUCTION
2908-A02

Includes a front drawer, 2 open compartments with fold-down lips, and cargo rails to tie down equipment on top of the unit.

**See page 25-26 for other custom drawer designs*

FITS VANS & TRAILERS

Command Interiors



PART NUMBER: 2655

We design and manufacture trailer and van interiors for a variety of needs including:

- Interior and exterior lighting
- Power
- HVAC
- Flooring
- Wall panelling
- Partitions
- Aluminum cabinets
- Bench seating
- Exterior storage



CONSULT

We will work with you one-on-one to understand your fleet needs and specifications for your interior.



DESIGN

Our engineers will use state-of-the-art design software to create a 3D concept of your interior.



BUILD

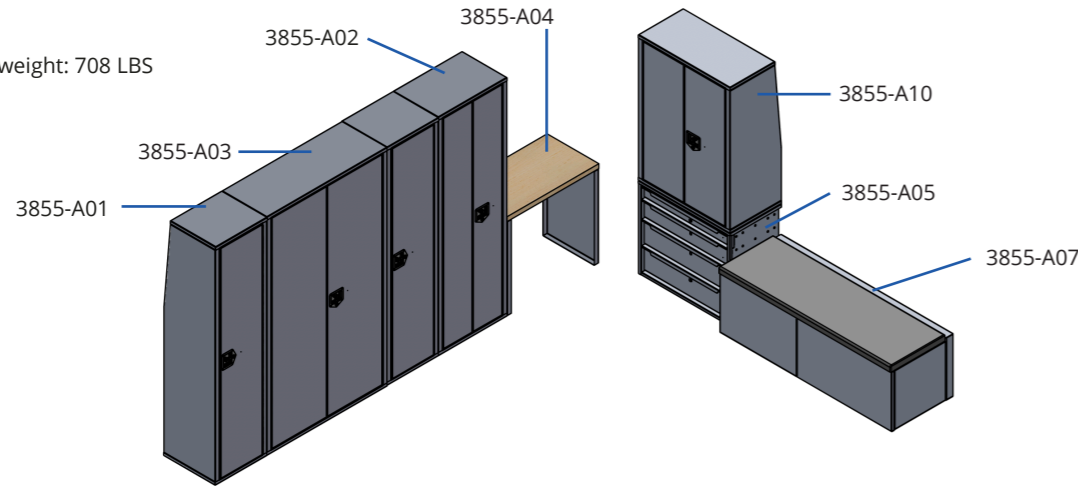
Our manufacturing team will build and install your layout inside your vehicle creating a work ready interior.

FITS HIGH ROOF CARGO VANS AND BOX VANS

Standard Van Packages

SWAT

3855 Package weight: 708 LBS



Driver side: 72"H x 134"W x 18"D

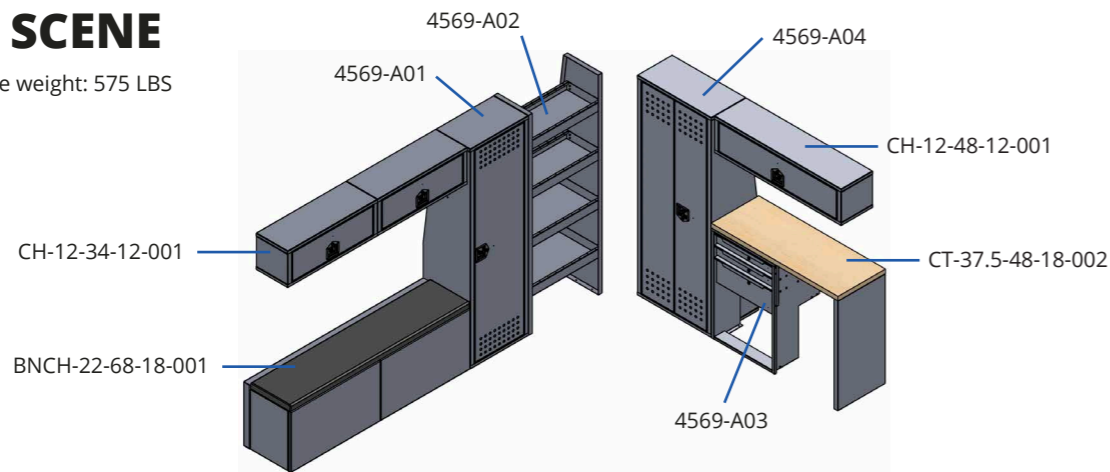
ITEM	PART #	QTY	DIMENSIONS
Locker Unit	3855-A01	2	72"H x 18"W x 18"D
Closet Unit	3855-A03	1	72"H x 42"W x 18"D
Closet Unit	3855-A02	1	72"H x 24"W x 18"D
Countertop	3855-A04	1	3"H x 32"W x 18"D

Passenger side: 72"H x 92"W x 22"D

ITEM	PART #	QTY	DIMENSIONS
Closet Unit	3855-A10	1	44"H x 32"W x 18"D
Drawer Unit	3855-A05	2	28"H x 32"W x 18"D
Bench Seat	3855-A07	1	20"H x 60"W x 22"D

CRIME SCENE

4569 Package weight: 575 LBS



Driver side: 72"H x 118"W x 18"D

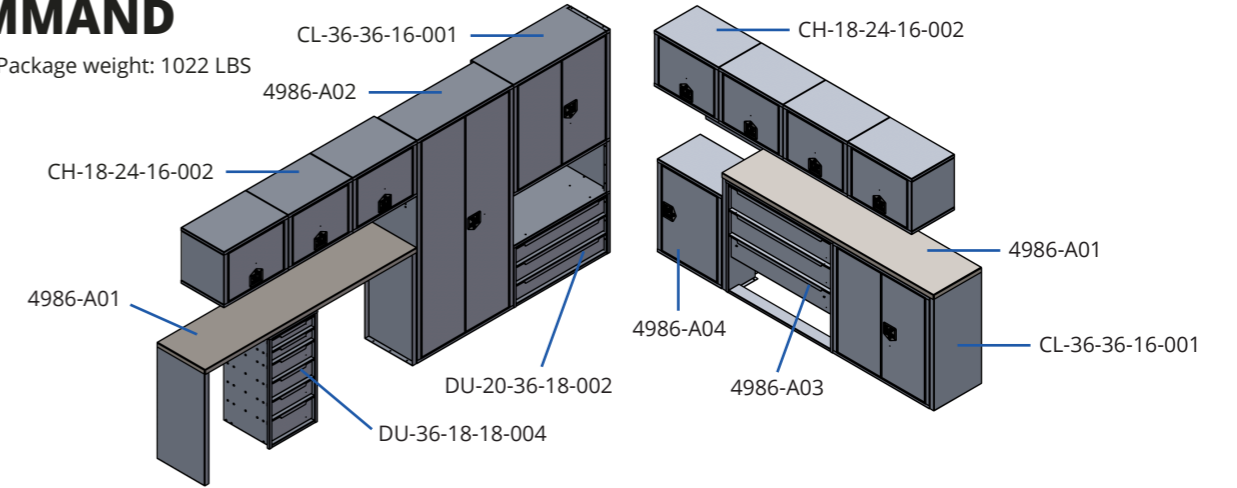
ITEM	PART #	QTY	DIMENSIONS
Bench Unit	BNCH-22-68-18-001	1	22"H x 68"W x 18"D
Chest Unit	CH-12-34-12-001	2	12"H x 34"W x 12"D
Locker Unit	4569-A01	1	72"H x 22"W x 18"D
Shelf Unit	4569-A02	1	72"H x 28"W x 18"D

Passenger side: 72"H x 76"W x 18"D

ITEM	PART #	QTY	DIMENSIONS
Closet Unit	4569-A04	1	72"H x 28"W x 18"D
Drawer Unit	4569-A03	1	36"H x 24"W x 18"D
Chest Unit	CH-12-48-12-001	1	12"H x 48"W x 12"D
Countertop	CT-37.5-48-18-002	1	3.75"H x 48"W x 18"D

COMMAND

4986 Package weight: 1022 LBS



Driver side: 72"H x 151"W x 18"D

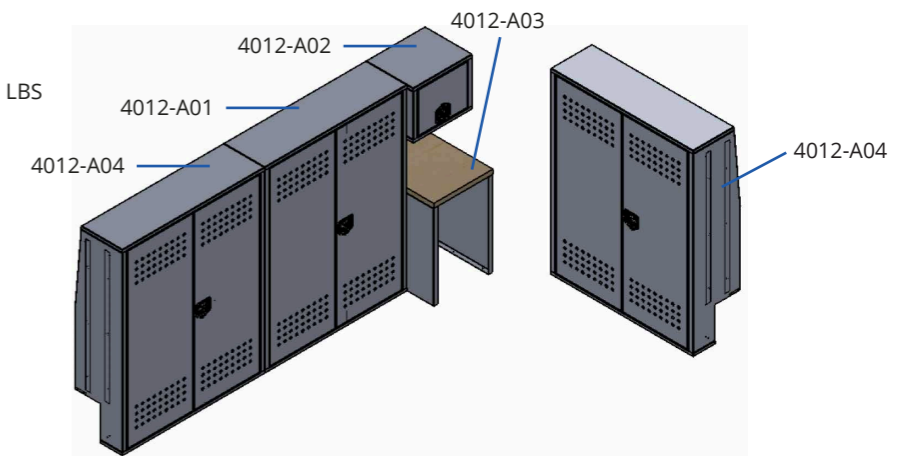
ITEM	PART #	QTY	DIMENSIONS
Countertop	4986-A01	1	3.75"H x 79"W x 18"D
Chest Unit	CH-18-24-16-002	3	18"H x 24"W x 16"D
Closet Unit	4986-A02	1	72"H x 36"W x 18"D
Closet Unit	CL-36-36-16-001	1	36"H x 36"W x 16"D
Drawer Unit	DU-20-36-18-002	1	20"H x 36"W x 18"D
Drawer Unit	DU-36-18-18-004	1	36"H x 18"W x 18"D

Passenger side: 72"H x 100"W x 18"D

ITEM	PART #	QTY	DIMENSIONS
Locker Unit	4986-A04	1	30"H x 24"W x 16"D
Chest Unit	CH-18-24-16-002	4	18"W x 24"W x 16"D
Drawer Unit	4986-A03	1	36"H x 40"W x 18"D
Countertop	4986-A01	1	3.75"H x 79"W x 18"D
Closet Unit	CL-36-36-16-001	1	36"H x 36"W x 18"D

PARAMEDIC

4012 Package weight: 1018 LBS



Driver side: 60"H x 116"W x 25"D

ITEM	PART #	QTY	DIMENSIONS
Closet Unit	4012-A04	1	60"H x 48"W x 16"D
Closet Unit	4012-A01	1	60"H x 48"W x 16"D
Chest Unit	4012-A02	1	16"H x 20"W x 16"D
Countertop	4012-A03	1	30"H x 20"W x 25"D

Passenger side: 60"H x 48"W x 16"D

ITEM	PART #	QTY	DIMENSIONS
Closet Unit	4012-A04	1	60"H x 48"W x 16"D

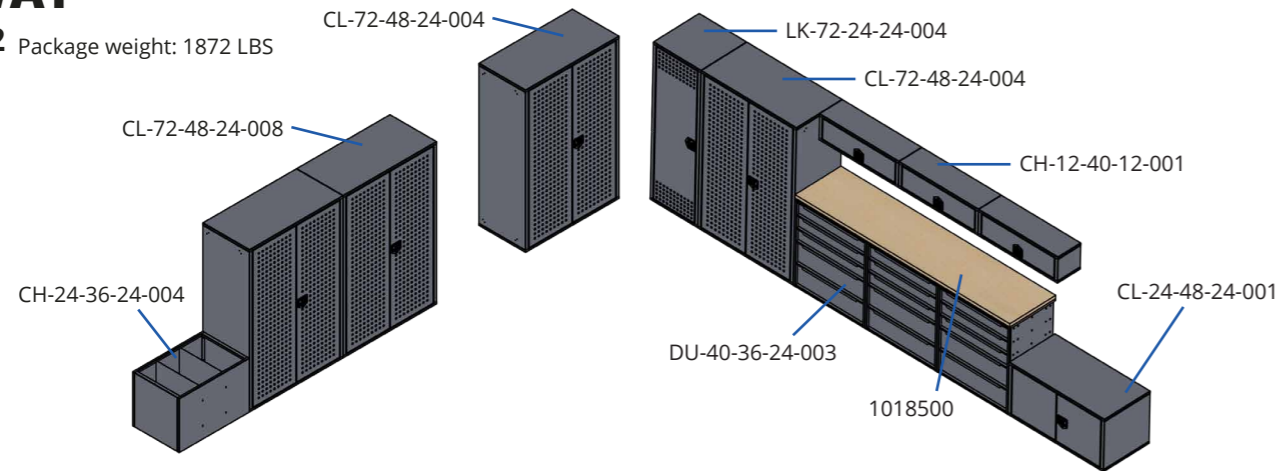
VAN & TRAILER INTERIORS

VAN & TRAILER INTERIORS

Standard Trailer Packages

SWAT

2742 Package weight: 1872 LBS



Driver side: 72"H x 228"W x 24"D

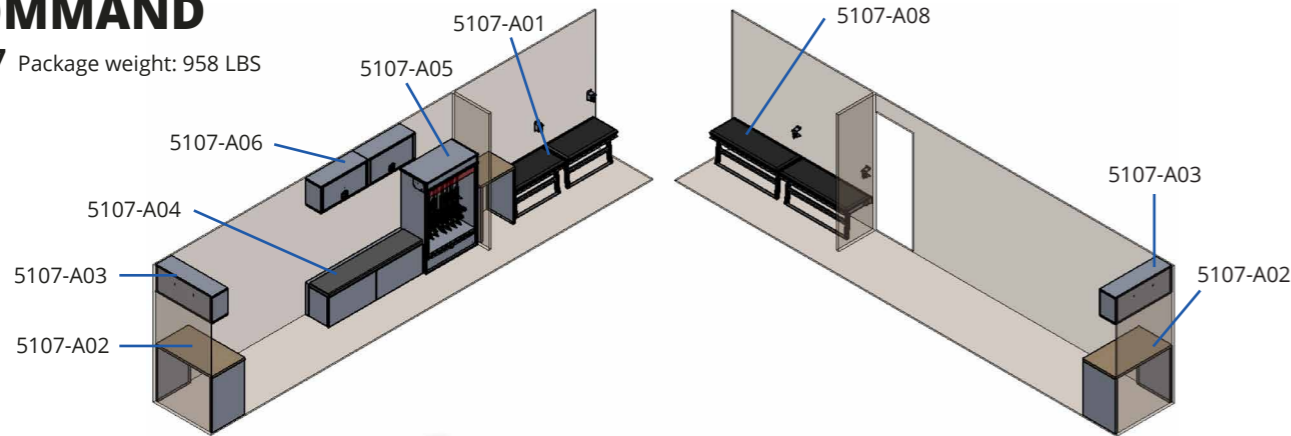
ITEM	PART #	QTY	DIMENSIONS
Custom Cabinet	CH-24-36-24-004	1	24"H x 36"W x 24"D
Closet Unit	CL-72-48-24-008	2	72"H x 48"W x 24"D
Closet Unit	CL-72-48-24-004	1	72"H x 48"W x 24"D

Passenger side: 72"H x 228"W x 24"D

ITEM	PART #	QTY	DIMENSIONS
Locker Unit	LK-72-24-24-004	1	72"H x 24"W x 24"D
Closet Unit	CL-72-48-24-004	1	72"H x 48"W x 24"D
Drawer Unit	DU-40-36-24-003	3	40"H x 36"W x 24"D
Countertop	1018500	1	1.5"H x 108"W x 24"D
Chest Unit	CH-12-40-12-001	3	12"H x 40"W x 12"D
Closet Unit	CL-24-48-24-001	1	24"H x 48"W x 24"D

COMMAND

5107 Package weight: 958 LBS



Driver side: 86"H x 336"W x 19.5"D

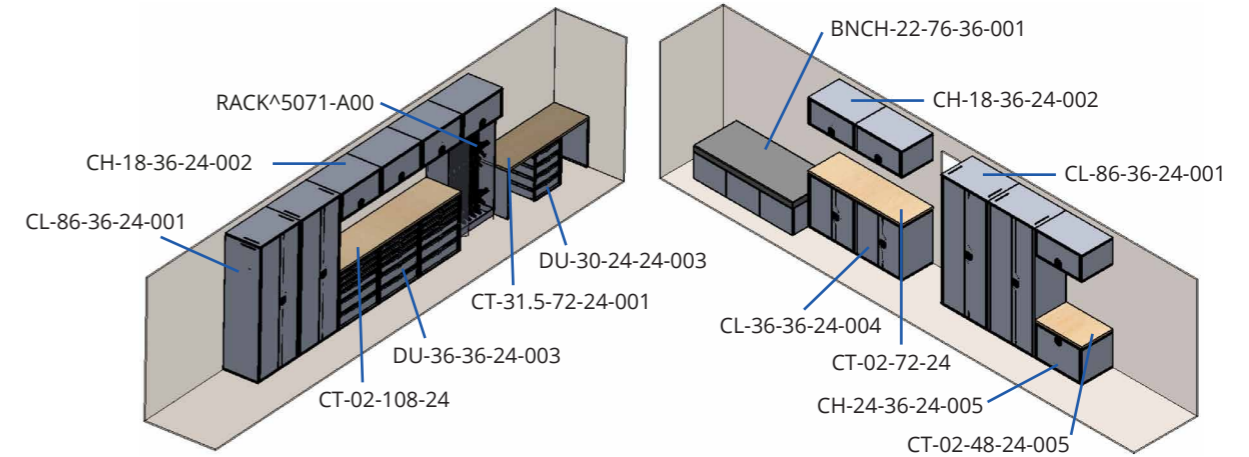
ITEM	PART #	QTY	DIMENSIONS
Countertop Assembly	5107-A02	1	37.5"H x 43"W x 25"D
Chest Unit	5107-A03	1	18"H x 43"W x 12"D
Bench Unit	5107-A04	1	22"H x 72"W x 18"D
Chest Unit	5107-A06	3	18"H x 36"W x 12"D
Rifle Storage Cabinet	5107-A05	1	60"H x 40"W x 20D
Foldable Bench Unit	5107-A01	2	22"H x 40"W x 19.5"D

Passenger side: 86"H x 336"W x 19.5"D

ITEM	PART #	QTY	DIMENSIONS
Foldable Bench Unit	5107-A08	2	22"H x 53"W x 19.5"D
Chest Unit	5107-A03	1	18"H x 43"W x 12"D
Countertop Assembly	5107-A02	1	37.5"H x 43"W x 25"D

COMMAND

5071 Package weight: 2304 LBS



Driver side: 86"H x 364"W x 24"D

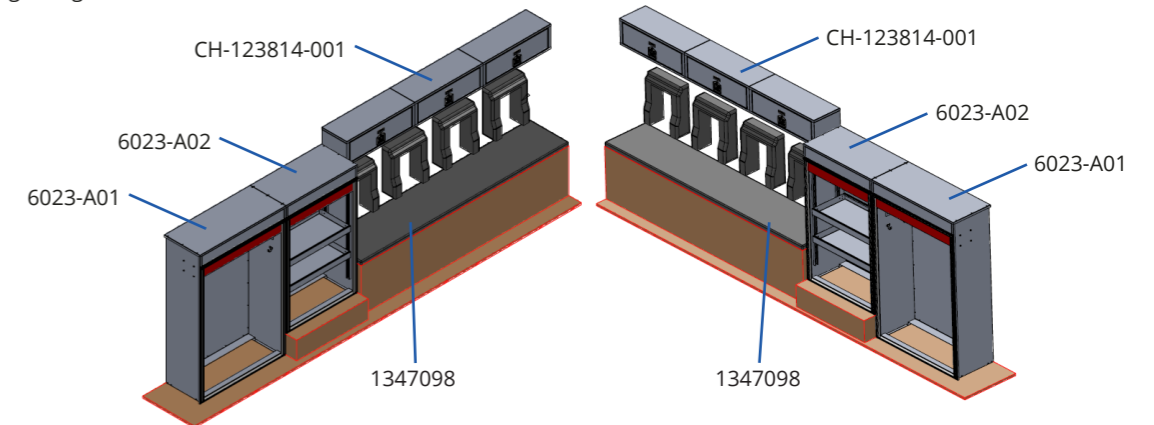
ITEM	PART #	QTY	DIMENSIONS
Closet Unit	CL-86-36-24-001	2	86"H x 36"W x 24"D
Chest Unit	CH-18-36-24-002	4	18"H x 36"W x 24"D
Countertop	CT-02-108-24	1	2"H x 108"W x 24"D
Drawer Unit	DU-36-36-24-003	3	36"H x 36"W x 24"D
Rifle Storage	RACK^5071-A00	1	54.5"H x 42"W x 15"D
Countertop	CT-31.5-72-24-001	1	31.5"H x 72"W x 24"D
Drawer Unit	DU-30-24-24-003	1	30"H x 24"W x 24"D

Passenger side: 86"H x 286"W x 36"D

ITEM	PART #	QTY	DIMENSIONS
Bench Unit	BNCH-22-76-36-001	1	22"H x 76"W x 36"D
Chest Unit	CH-18-36-24-002	3	18"H x 36"W x 24"D
Closet Unit	CL-86-36-24-001	2	86"H x 36"W x 24"D
Closet Unit	CL-36-36-24-004	2	36"H x 36"W x 24"D
Countertop	CT-02-72-24	1	2"H x 72"W x 24"D
Chest Unit	CH-24-36-24-005	1	24"H x 36"W x 24"D
Countertop	CT-02-48-24-005	1	2"H x 48"W x 24"D

EMERGENCY RESPONSE

6023 Package weight: 1310 LBS



Driver side: 72"H x 168"W x 24"D

ITEM	PART #	QTY	DIMENSIONS
Locker Unit	6023-A01	1	72"H x 48"W
Locker Unit	6023-A02	1	62"H x 40"W
Bench Unit	1347098	1	26"H x 116"W
Chest Unit	CH-123814-001	3	12"H x 38"W x 14"D

Passenger side: 72"H x 190"W x 24"D

ITEM	PART #	QTY	DIMENSIONS
Chest Unit	CH-123814-001	3	12"H x 38"W x 14"D
Bench Unit	1347098	1	26"H x 116"W
Locker Unit	6023-A02	1	62"H x 40"W
Locker Unit	6023-A01	1	72"H x 48"W

FOR SUVs, PICKUPS, VANS & TRAILERS

Custom Units



DUAL PICKUP TRUCK DRAWER
TDU-12-32-48-100



CUSTOM ROLL-OUT UNIT
TDU-21.5-48-65-700



CUSTOM TDU MAXIMIZER DRAWER
4682



CUSTOM FORD EXPEDITION DRAWER
5017



CUSTOM CHEVY TAHOE DRAWER
4078



CUSTOM CHEVY TAHOE DRAWER
5080



COMMAND TRAILER INTERIOR
5362



FORENSIC VAN INTERIOR
6247



COMMAND VAN INTERIOR
3925



RESPONSE TRAILER INTERIOR
6372

HAVE ANOTHER DESIGN IN MIND?

Ask us about our extensive design library full of storage solutions for a wide range of uses. We can also create a completely custom design for your unique needs. Our engineers have decades of experience working with public safety professionals, and know how to design a storage solution that will work just for you. **Just give us a call at 315.595.3300**

CUSTOM SOLUTIONS

CUSTOM SOLUTIONS

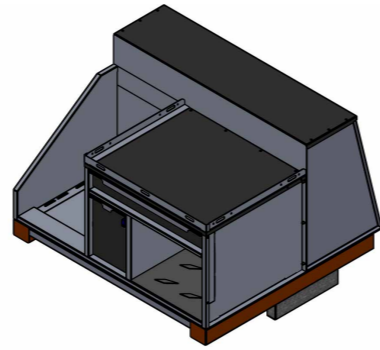
FITS FORD EXPEDITION & CHEVY TAHOE

Fire Response Solutions

Drive efficiency with lasting durability. Choose from our packages below. Each fire response unit can be customized to address your specific needs to transform your SUV into a command center.

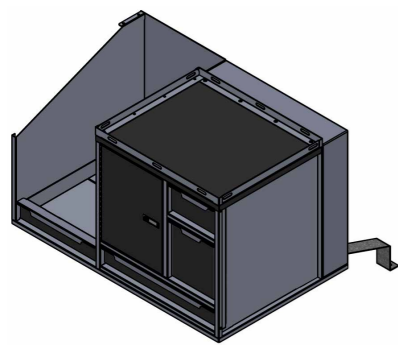


PART NUMBER: TDU-354875-700



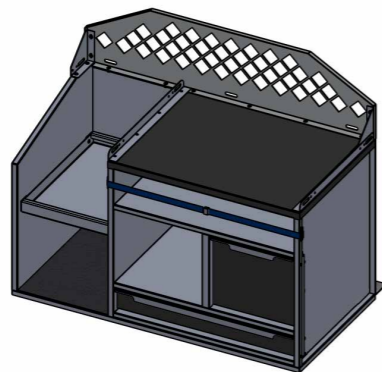
FIRE ORGANIZER SERIES 1

PART NUMBER	4024
DIMENSIONS	26"H x 46"W x 42"D
WEIGHT	200LBS
VEHICLE FITMENT	≤2020 Ford Expedition



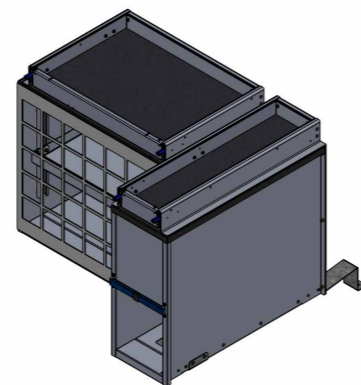
FIRE ORGANIZER SERIES 2

PART NUMBER	3993
DIMENSIONS	30"H x 48"W x 30"D
WEIGHT	210LBS
VEHICLE FITMENT	≤2020 Chevy Tahoe



FIRE ORGANIZER SERIES 3

PART NUMBER	CTU-294824-504
DIMENSIONS	40"H x 48"W x 24"D
WEIGHT	190LBS
VEHICLE FITMENT	≤2020 Chevy Tahoe



FIRE ORGANIZER SERIES 4

PART NUMBER	5862
DIMENSIONS	32"H x 45"W x 34"D
WEIGHT	150LBS
VEHICLE FITMENT	≤2020 Chevy Tahoe

FITS LARGE SUVs, PICKUPS & VANS

MAXX Slide Series for Fire

The Battalion Chief Package includes two front compartments to store SCBA and extinguishers, two lower sectors to secure spinal boards, and adjustable shelving in the rear compartments for other gear.

FEATURES:

- Available in 65", 70", 75" and 90" slide lengths
- Locking mechanism every 16" for safe and secure rolling
- One-handed operation
- Easy installation

BATTALION CHIEF PACKAGE

PART NUMBER	4392-A01
DIMENSIONS	40"H x 48"W x 75"D
WEIGHT	564LBS
VEHICLE FITMENT	Large SUVs, Pickups and Vans



*See page 25-26 for other custom drawer designs

FIRE RESPONSE SOLUTIONS

FIRE RESPONSE SOLUTIONS

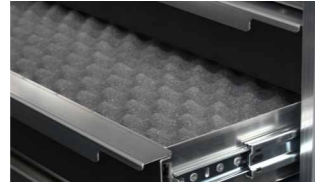
Accessories



GUN MOUNT

We offer a gun mount that can be added to your drawer to secure your weapons.

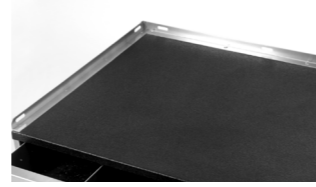
SKU: 1026774



2" FOAM LINER

We provide two inch foam liners to protect your weapons and gear.

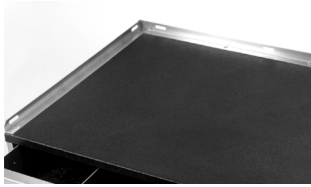
SKU: 1408380



36"W CARGO RAIL

All drawers come with cargo rail on the sides and back. Add a 36"W cargo rail to the front.

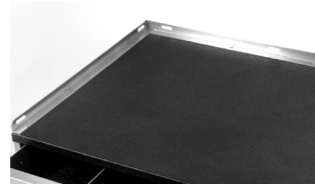
SKU: 2002521



40"W CARGO RAIL

All drawers come with cargo rail on the sides and back. Add a 40"W cargo rail to the front.

SKU: 2002311



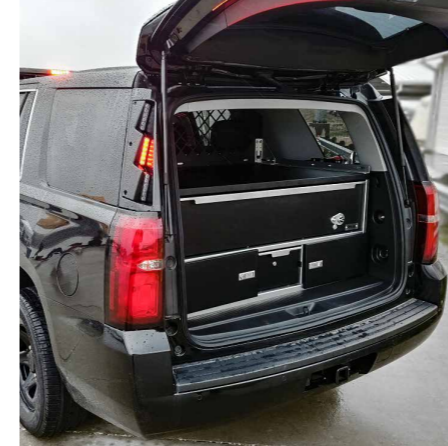
46"W CARGO RAIL

All drawers come with cargo rail on the sides and back. Add a 46"W cargo rail to the front.

SKU: 2002628



Photo Gallery



CHEVY TAHOE CVE SCALE STORAGE UNIT
CTU-224738-500



SUVL STACKED DRAWER
OPS-20-40-24-DY



SUVL SINGLE DRAWER WITH SIMPLEX LOCK
OPS-20-46-36-DS



PURSUIT SERIES SINGLE DRAWER
PDU-12.5-42-18-001



PURSUIT SERIES STACKED DRAWER
PDU-18.5-42-18-001



SUVL STACKED DRAWER WITH SIMPLEX LOCK
OPS-20-40-24-DYS



PICKUP TRUCK RESPONDER DRAWER
1x OP-TDU-12-24-53-001
2x SKU-17-18.5-50.25-011



PICKUP TRUCK DUAL DRAWER
OP-TDU-12-48-60-DX



PICKUP TRUCK SINGLE DRAWER
OP-TDU-16-48-48-D

ACCESSORIES

PHOTO GALLERY



VETERAN FRIENDLY COMPANY

OPS Public Safety is proud to be a Veteran Friendly Company. We recognize those who have served for our country and are honored to welcome veterans to work for us.

AGENCIES WE SERVE:

We are proud to serve law enforcement agencies across the United States including the following:



CUSTOMER TESTIMONIALS:

Here is what some of our customers have to say about OPS Public Safety.

"We have used OPS Public Safety for law enforcement storage systems in our upfit center for a few years now. The Sales Team and Management Team are top notch people who provide exemplary service. The quality of the products is second to none. We will continue to use OPS Public Safety for our law enforcement storage units."

- Dan Thurston, John Jones Auto Group

"A family company with values and work ethic I would go to work for, Joe always checks up on me and is available whenever I need him. OPS Public Safety has always done a wonderful job at making it right."

- Mike Cassagne, Dana Safety Supply, Baton Rouge

"Pricing is good, and representatives are helpful and good at keeping contact and following up."

- Brian Fields, Wireless Advanced Communications

"OPS Public Safety cabinets have some of the best engineered solutions possible. Their light design and quiet operation make them one of the top leaders in the industry."

- Anonymous

CONTACT US:

20400 Old Rome State Road
Watertown, NY 13601
315.595.3300

638 Fortune Crescent
Kingston, ON K7P 2T3
613.530.3419

www.opspublicsafety.com

ABOUT US:

Over 21 years experience and knowledge, our manufacturing process ensures predictable, accurate, and superior quality builds. We are dedicated to providing the best vehicle storage solutions to our valued customers.

