



# INTERCEPTOR CARGO BOX



THE MOST RESPECTED NAME IN ALUMINUM ENGINEERED STORAGE SOLUTIONS FOR MOBILE APPLICATIONS

## INTERCEPTOR CARGO BOX

### 20" Tall - Long gun storage w/ tire access

Maximizing secure cargo storage for weapons and gear, maintaining spare tire access and utilizing factory mounting points. CTEch is setting new standards for Tactical Storage.

- Safe and Secure MotionLatch™ drawer access with dual drawer locks.
- Vented bottom drawer, designed for secure and easy access electronic storage.
- Long gun storage capabilities.
- Factory mounting points ensures a secure mount in the rear of the vehicle.
- Removable floor panel for access to spare tire.
- Inverted tray and Gear Guard secure cargo riding on the top of the cabinet.
- Weight: 144 lbs



**ICB40-401**  
20" H x 40" W x 40/24" D



042017

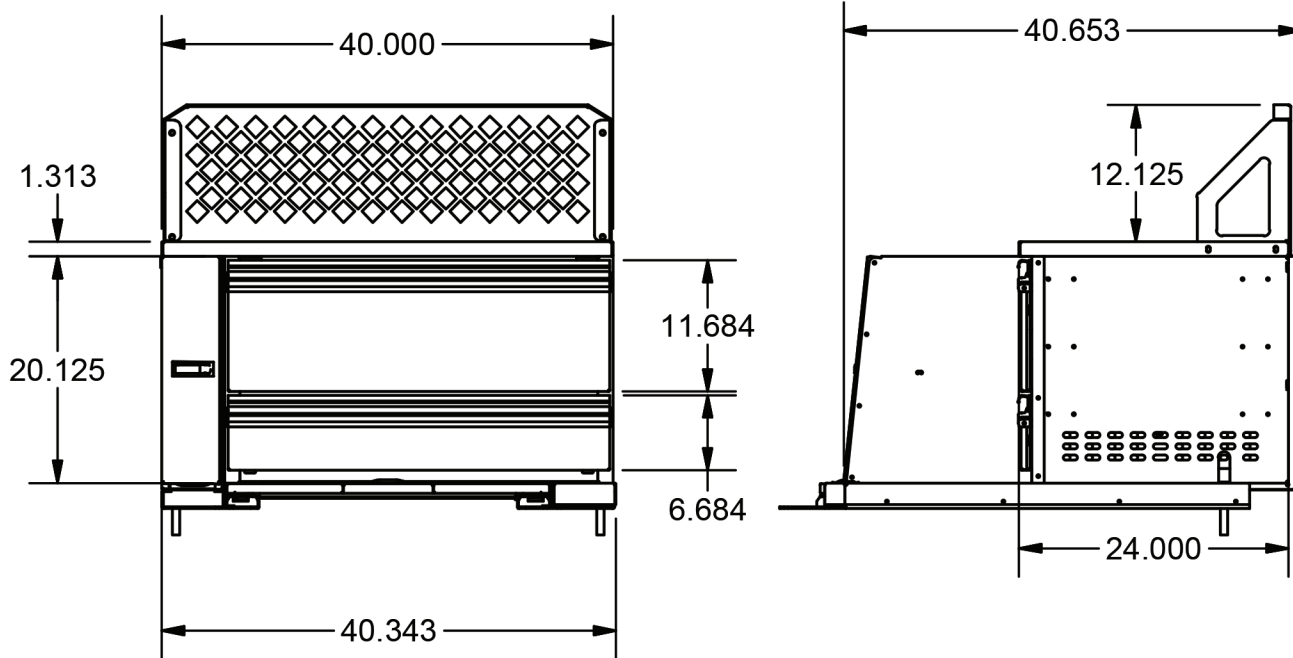
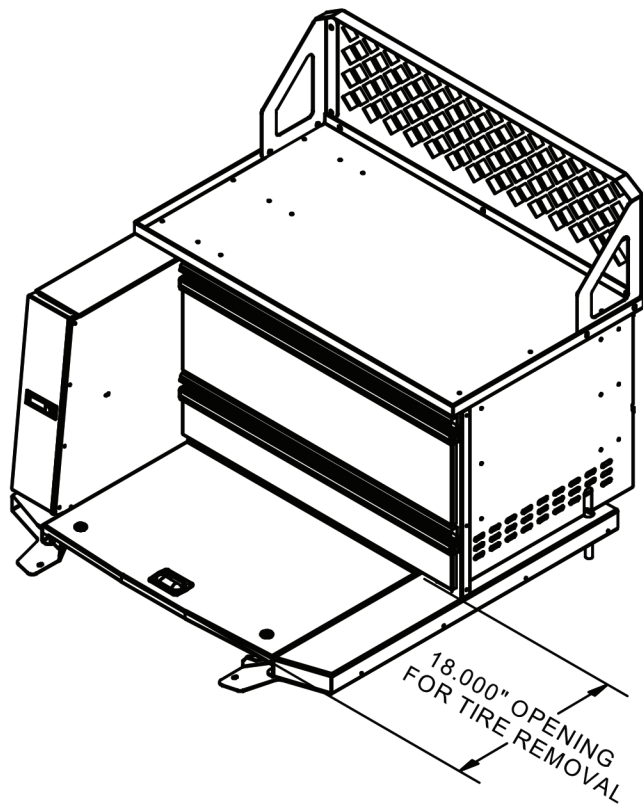




# INTERCEPTOR CARGO BOX



THE MOST RESPECTED NAME IN ALUMINUM ENGINEERED STORAGE SOLUTIONS FOR MOBILE APPLICATIONS



## Proprietary Notice

This drawing and the text, design, and concepts herein are the property of CTECH Manufacturing, a division of Greenheck Racing. Any reproduction, distribution, or forwarding of this document to persons or organizations for any reason without written permission from CTECH is prohibited.