



2021

SILVERADO SPECIAL SERVICE



Shown with equipment from independent suppliers not covered by the GM New Vehicle Limited Warranty. GM is not responsible for the safety or quality of independent supplier alterations.

GENERAL MOTORS FLEET





About This Publication

This catalog is not updated during the model year and should not be used for ordering purposes. It is intended as a source of basic information. All illustrations and specifications in this literature are based on the latest product information available at the time of publication. General Motors reserves the right to make changes at any time without notice. For further details, consult your local dealer.

Care must be taken during customer installation of equipment and wiring to ensure that all holes drilled in the body are corrosion protected, properly sealed and that vehicle wiring harnesses, piping or other components have not been displaced or damaged. Aftermarket equipment installers must be mindful of applicable Federal Motor Vehicle Safety Standards. This information can be obtained directly from the National Highway Traffic Safety Administration. Adding non-dealer accessories or making modifications to the vehicle can affect vehicle performance, aerodynamics, and overall top speed. Please return all police vehicles to factory condition and settings upon decommissioning to prevent civilians from using these new 2021 calibrations, lighting and other features intended only for police and emergency customers. Wiring connection or splice changes are to be removed before the vehicle is returned to civilian use.

These vehicles are equipped with an airbag system. The airbag system in your police vehicle includes frontal driver and front outboard passenger airbags, front seat back side impact airbags and roof rail mounted head-curtain airbags. Customer installed equipment such as security barriers behind the front seats should not be mounted so that the barrier ends are within the side airbag deployment zones. The sensors and other components for the airbag system must not be relocated to accommodate the installation of customer furnished equipment; please refer to the service manual for sensor and other component locations. For information concerning instrument panel top pad mounted equipment and airbag system deployment zones, see the airbag information section in this catalog and the vehicle owners manual.

A note about vehicle alterations by independent suppliers: This catalog shows pictures of vehicles that have been altered or upfitted with equipment or components supplied to Chevrolet or its dealers by independent suppliers. GM is not responsible for the safety or quality of design features, materials or workmanship of any alterations by third parties.

INDEX

2021 SILVERADO SPECIAL SERVICE 5W4

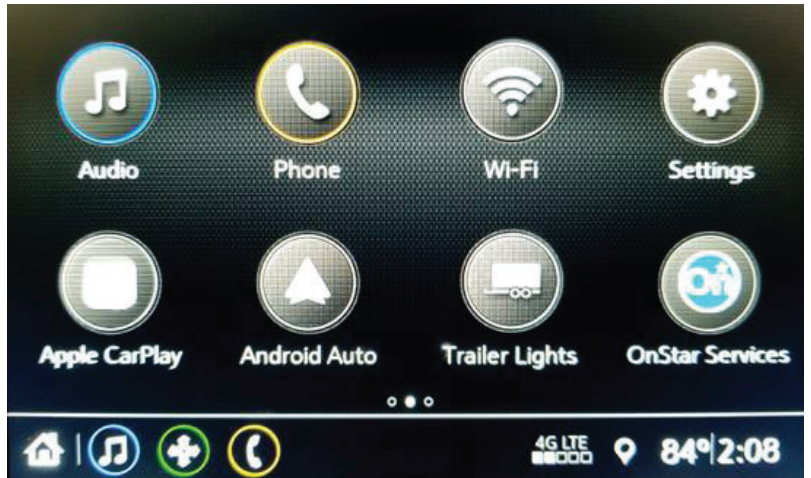
- **UPDATES FOR 2021 MODEL YEAR**
- **STANDARD FEATURES**
- **POWERTRAIN & EMISSIONS**
- **COLORS & INTERIOR TRIM**
- **OPTIONAL EQUIPMENT**
- **SPECIFICATIONS**
- **ILLUSTRATION HIGHLIGHTS**
- **OnStar BUSINESS SOLUTIONS OFFERS OnStar SAFETY SERVICES, OnStar VEHICLE INSIGHTS, API (APPLICATION PROGRAMMING INTERFACE) & DATA SERVICES & IN-VEHICLE WI-FI**
- **AIRBAG DIMENSIONS**
- **AIRBAGS FAQ**
- **STABILITRAK**
- **MAINTENANCE AND WARRANTY**



Shown with aftermarket equipment



Standard 120-volt power outlet in bed



Standard 7" touchscreen radio

UPDATES FOR 2021

STANDARD NEW FEATURES

- **20% Front seat with arm rest storage (AE7) is standard**

OPTIONAL NEW FEATURES

- **Multi-Flex Tailgate (QK2) available. Interim model year.**
- **New colors: Oxford Brown Metallic (GED)**
- **High Clearance Cast Step (VXW)**
- **Safety Confidence Package¹ (RGE) includes UK3-steering Wheel Controls, UEU-Forward Collision Alert, UKJ-Front Pedestrian Braking, UHY-Auto Emergency Braking, and UDD-Driver information center.**
- **New black steel wheel (RPP). Interim model year.**
- **Rear Wheelhouse liners (B1J)**

DISCONTINUED

- **Deleted Colors: Havana Brown (G2X)**

¹ Read the vehicle owner's manual for important feature limitations and information.

NOTE: This vehicle is not designed nor intended for use in high speed emergency vehicle operations. Special Service Package, includes: 5.3L EcoTec3 V8 Engine, heavy-duty air cleaner, 220-amp alternator, 120-volt IP power outlet, 120-volt bed-mounted power outlet, calibration that disables remote key panic button and exterior lights/horn as factory default. Surveillance Mode Calibration disables interior and exterior lighting when activated, Also includes Fleet Convenience Package.

SSV is only available as 1WT on the following models:

2 Wheel Drive CC10543 Short Box (5 feet 8 inches)

2 Wheel Drive CC10743 Standard Box (6 feet 6 inches)

4 Wheel Drive CK10543 Short Box (5 feet 8 inches)

4 Wheel Drive CK10743 Standard Box (6 feet 6 inches)

STANDARD 1WT INTERIOR FEATURES

AIR CONDITIONING	Single-zone with rear Heating/Cooling air vents.
ASSIST HANDLES	Front A-pillar mounted for driver and passenger, rear B-pillar mounted.
AUDIO SYSTEM FEATURES¹	Chevrolet Infotainment System ³ with 7" diagonal color touch-screen , AM/FM stereo with seek-and-scan and digital clock, includes Bluetooth streaming audio for music and select phones; featuring Android Auto and Apple CarPlay capability for compatible phones. Includes 6 speaker system.
BLUETOOTH²	Personal cell phone connectivity to vehicle Infotainment System.
COMPASS	Located in instrument cluster. Requires UE1 OnStar
CONVENIENCE PACKAGE	Includes, Remote Keyless Entry, EZ Lift power lock and release tailgate, cruise control and power mirrors. When ordered with (PQA) WT Safety Package, (DLF) power mirrors include (UKC) Lane Change Alert with Side Blind Zone Alert and (DP6) high-gloss mirror caps.
DOOR LOCKS	Power
DRIVER INFO. CENTER	3.5 inch diagonal monochromatic display, provides warning messages and basic vehicle information
FLOOR COVERING	Rubberized Vinyl (Floor mats not included)
INSTRUMENTATION CLUSTER	6-gauge cluster featuring speedometer, fuel level, engine temperature, tachometer, voltage and oil pressure
MIRROR	Inside rearview manual tilt
POWER OUTLET	Located on Instrument panel and Bed Mounted 120-volt (400 watt).
REAR VISION CAMERA³	Shows the driver an image of the area directly behind the vehicle on the center stack when in Reverse at low speeds. Also, includes dynamic guiding lines.
RESTRAINT SYSTEM⁴	Seat belts at all designated seating positions with driver and front outboard passenger pretensioners. Airbags: Dual-stage frontal airbags for driver and front outboard passenger; includes front outboard Passenger Sensing System. Seat-mounted side-impact airbags for driver and front outboard passenger; Head Curtain airbags for front and rear outboard seating positions. NOTE: Nine inch seat belt extenders are available (part number 19259268) through our dealers at no charge.
SEAT, FRONT	40/20/40 Split Bench with arm rest storage and Vinyl trim. Driver and front passenger seat adjuster are 4-way manual (for cloth trim and power seat availability see seat availability page).
SEAT, REAR	60/40 folding bench (folds up), 3-passenger (includes child seat top tether anchor). Includes Rear seat reminder. ⁵
SURVEILLANCE MODE	Calibration to disable interior & exterior automatic lighting. Feature is activated by adding wire connection to the BCM by customer/upfitter.
STEERING COLUMN	Tilt-Wheel, manual with wheel locking security feature
TEEN DRIVER MODE	Configurable feature that lets you activate configurable features that activates vehicle settings associated with a key fob, to encourage safe driving behavior. It can limit certain vehicle features, and it prevents certain safety systems from being turned off. An in-vehicle report card gives you information on driving habits and helps you to continue to coach your new driver.
TEMPERATURE DISPLAY	Exterior temperature display located in radio display
THEFT DETERRENT SYSTEM	Vehicle Immobilizer (prevents vehicle start without correct key or remote). Content Theft System not available. See your Owner's Manual for system information.
USB PORT	Located on instrument panel
WINDOWS	Power front, drivers express up/down. Front passenger express down. Rear power express down.

STANDARD 1WT EXTERIOR FEATURES

BUMPER FRONT	Black (semi-gloss).
BUMPER REAR	Black (semi-gloss) with corner step.
CARGO TIE DOWN	12 fixed, Rated at 500 pounds per corner.
CAPLESS FUEL FILL	The vehicle has a capless refueling system and does not have a fuel cap. The filling nozzle must be fully inserted and latched prior to starting fuel flow. NOTE: Overfilling the fuel tank by more than three clicks of a standard fill nozzle may cause vehicle performance issue, including engine stalling and damage to the fuel system, fuel spills, potential fuel fires
DOOR HANDLES	Black
GLASS	Solar absorbing, tinted.
GRILLE	Black bars with mesh inserts
HEADLAMPS	Halogen reflector with halogen Daytime Running Lamps and Automatic exterior lamp control. Altering headlamp assembly is not-Recommended. General Motors is not responsible for the effects of any modifications
LAMPS	Cargo area, cab mounted integrated with center high mount stop lamp, with switch in bank on left side of steering wheel
MIRRORS, OUTSIDE	Black, Manual

¹. Functionality varies by model. Full functionality requires compatible Bluetooth and smartphone, and USB connectivity for some devices ². Go to myChevrolet.com/learnAbout/bluetooth to find out which phones are compatible with the vehicle ³. Safety or driver assistance features are no substitute for the driver's responsibility to operate the vehicle in a safe manner. The driver should remain attentive to traffic, surroundings and road conditions at all times. Visibility, weather, and road conditions may affect feature performance. Read the vehicle's owner's manual for more important feature limitations and information. ⁴. Always use seat belts and child restraints. Children are safer when properly secured in a rear seat in the appropriate child restraint. See the Owner's Manual for more information ⁵. Does not detect people or items. Always check rear seat before exiting.

POWER OUTLET	Bed mounted 120-volt (400 watt)
PICKUP BED	Built from high-strength roll-formed steel for durability with 12 fixed corner tie downs and 110v outlet
RECOVERY HOOKS	Front, frame-mounted, Black Included with 4WD models or included and only available on 2WD models with (PQA) WT Safety Package NOTE: Front recovery hooks are for vehicle recovery only. To avoid the risk of injury, never use recovery hooks to tow a vehicle.
TAILGATE	Gate function manual, no lift assist Locking, utilizes same key as ignition and door. Includes Tailgate and bed rail protection cap.
TAILLAMPS	Incandescent tail, stop and reverse lights
TIRES	255/70R17 all-season, blackwall (includes P255/70R17 All-season blackwall spare tire)
TIRE PRESSURE MONITOR WITH TIRE FILL ALERT	Tire Pressure Monitoring System. Standard spare wheel not equipped with TPM sensor. Includes Tire Fill Alert in addition to the DIC warning when a tire has low pressure. This feature provides audible and visual indication when air is being added to the low tire to aid in achieving optimal tire pressure.
TIRE, SPARE CARRIER	Keyed cylinder lock utilizes same key as ignition and door
WHEELS	17 inch x 8 inch Ultra Silver Painted Steel, includes spare

STANDARD 1WT CHASSIS FEATURES

AIR FILTER	High capacity
ALTERNATOR	220 amp Charging System with Idle Boost increases alternator output at idle with increased electrical load. See Specifications page for Alternator Output Chart.
BATTERY	Heavy-duty 720 cold-cranking amps/80 Amp-hr, maintenance-free with rundown protection and retained accessory power
BRAKES	4-wheel disc with DURALIFE rotors, 4-wheel antilock
BRAKE WEAR	Brake wear indicator
BRAKE PAD LIFE DISPLAY	Displays an estimate of the remaining life of the front and rear brake pads. Messages will display based on brake pad wear and the state of the system. Reset the Brake Pad Life display after replacing the brake pads. See Brake Pad Life
BRAKE PAD LIFE SYSTEM	Tells when to Change Brake Pads. Brake pad life is displayed in the Driver Information Center (DIC), along with a percentage for each axle. When the system has determined that the brake pads need to be replaced a message will display which may include mileage remaining. Brake pads should always be replaced as complete axle sets.
ENGINE	5.3L EcoTec3 V8 with Direct Injection and Variable Valve Timing, includes aluminum block construction (355 hp [265 kW] @ 5600 rpm, 383 lb-ft of torque [518 Nm] @ 4100 rpm; more than 300 lb-ft of torque from 2000 to 5600 rpm)
FRAME	Fully-boxed, hydroformed front section
FUEL TANK	Approximately 26 gallon (98 liter)
OIL COOLING	External engine oil cooler and auxiliary transmission oil cooler
RADIO SUPPRESSION	The Silverado vehicle systems are designed to prevent unwanted emissions and to minimize susceptibility and maximize immunity to external emissions (Electromagnetic (EMI) or Radio Frequency (RFI) Interference). Most emergency vehicle communications equipment operating at frequencies in the VHF Band (30-300 MHz) and up to frequencies in the UHF Band (300 MHz-3GHz) will function as intended without enhanced noise suppression.
REAR AXLE	3.42
STABILITRAK	Stability control system with Proactive Roll Avoidance and traction control includes electronic trailer sway control and hill start assist. For description see Stability Control and Traction Control section
STEERING	Electric Power Steering (EPS) assist, rack-and-pinion
SUSPENSION, FRONT	Independent, coil over shock, includes 35mm twin tube shock absorbers
SUSPENSION, REAR	2-Stage multi-leaf springs, semi-elliptic
TRANSFER CASE	Single speed, electronic Autotrac with rotary dial control.
TRANSMISSION	6-speed automatic electronically controlled with overdrive and tow/haul mode. Includes Cruise Grade Braking and Powertrain Grade Braking
LIMITED WARRANTY	See Maintenance and Warranty section for description

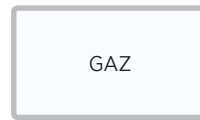
AVAILABLE EXTERIOR COLORS ACTUAL COLORS MAY VARY



Red Hot



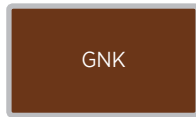
Silver Ice Metallic



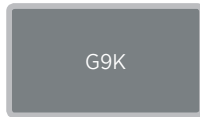
Summit White



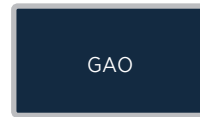
Black



Oxford Brown Metallic



Satin Steel Metallic



Northsky Blue Metallic



Shadow Gray Metallic

SEO PAINT AVAILABLE ACTUAL COLORS MAY VARY



Woodland Green (9V5) WA-9015



Doeskin Tan WA-9403



Wheatland Yellow (9W3) WA-253A



Tangier Orange (9W4) WA-9417



Unripened Green Metallic WA-136X



Indigo Blue WA-9792



Lt. Autumnwood Metallic WA-228A



Pewter WA-382E



Dark Toreador Red WA-334D



Orange WA-770H



Orange WA-9419



Yellow WA-5248



Yellow WA-5445



Yellow WA-5456



Yellow WA-9414



Blue WA-454N



Blue WA-5405



Arrival Blue Metallic WA-815K



Blue WA-7154



Green WA-7927

NOTE:

- Actual color may vary
- GM will require 5 orders before sending to the plant
- May require extended lead time.

AVAILABLE INTERIOR COLOR ACTUAL COLORS MAY VARY



Jet Black Vinyl



Jet Black Cloth

WORK TRUCK CONVENIENCE PACKAGES

ZLQ	WORK TRUCK CONVENIENCE PACKAGE 1 - Includes Remote Keyless Entry (AQQ), EZ lift tailgate with power lock and release (QT5), Cruise control (K34), and Outside power adjustable and heated mirrors (DLF).
PCV	WORK TRUCK CONVENIENCE PACKAGE 2 - Includes ZLQ above plus deep tinted glass (AKO) and Rear defogger (C49)
PEB	WORK TRUCK VALUE PACKAGE - Includes PCV above plus Trailing package (Z82).

OPTIONAL INTERIOR FEATURES

VV4	4G LTE WI-FI® HOTSPOT1 - Can connect up to 7 devices; includes 4G LTE data trial for 1 month or 3GB (whichever comes first) Service varies with conditions and location. Available Wi-Fi requires compatible mobile device, active OnStar service and data plan. Data plans provided by AT&T. Visit www.OnStar.com/BusinessSolutions for details and system limitations.
UTQ	ALARM, HORN CONTENT THEFT DETERRENT, DISABLED - Calibration disables the horn for the theft deterrent alarm. Requires CC10743 and CK10743 model and (5W4) Special Service Vehicle
RIA	ALL WEATHER FLOOR LINER - 1st and 2nd rows (includes Chevrolet Bowtie logo). Requires (B30) color-keyed carpeting.
5J1	CALIBRATION, KEYLESS REMOTE PANIC BUTTON EXTERIOR LIGHT/HORN DISABLE - Included with CC10743 and CK10743 model and (5W4) Special Service Vehicle
5J3	CALIBRATION, SURVEILLANCE MODE INTERIOR LIGHTING - Calibration to disable interior automatic lighting. Feature is activated by adding wire connection to the BCM by customer/upfitter. Requires CC10743 and CK10743 model and (5W4) Special Service Vehicle
K34	CRUISE CONTROL - Electronic with set and resume speed, steering wheel-mounted. Included with (ZLQ) WT Fleet Convenience Package
C49	DEFOGGER, REAR WINDOW - Electric
B30	FLOOR COVERING - Color-keyed carpeting. Includes front and rear vinyl floor mats
BCV	LOCK CONTROL REAR DOOR, AUTO DOOR LOCKS DISABLE - Calibration disables auto door locks and is activated through radio or DIC settings. Requires CC10743 and CK10743 model and (5W4) Special Service Vehicle and Government order.
UE1	ONSTAR® - Fleet orders of properly equipped vehicles receive a 3-month trial of Driver Remote Access Plan, 3 months of Safety & Security coverage, and 1 month or 3GB of 4G LTE data (whichever comes first) from vehicle delivery date. Certain services require working electrical system, cell reception and GPS signal. OnStar links to emergency services. Data plans offered by AT&T. See OnStar.com/BusinessSolutions for details. Services subject to Terms and limitations and availability is subject to change.
UD7	REAR PARK ASSIST - Ultrasonic Requires (R13) WT Appearance Package, (Z82) Trailing Package, (JL1) trailer brake controller ² , (ZLQ) WT Fleet Convenience Package and (KI4) power outlet.
VBJ	REAR UNDERSEAT STORAGE - Composite storage bin (see optional equipment section for illustration)
RGE	SAFETY CONFIDENCE PACKAGE - Includes UK3-steering Wheel Controls, UEU-Forward Collision Alert, UKJ-Front pedestrian braking ² , UHY-Auto emergency braking ² , and UDD-Driver information center ² .
5T5	SEATS - Front cloth and second row vinyl.
A2X	SEAT ADJUSTER - Driver 10-way power seat including lumbar. Requires (ZLQ) WT Fleet Convenience Package, (KI4) 120-volt power outlet and (KC9) 120-volt bed-mounted power outlet
5L5	THEFT DETERRENT SYSTEM FLEET IMMOBILIZER - In the absence of master key, reduces roadside key relearn process to (3) two-minute cycles in place of the standard (3) ten-minute cycles. This option will also allow for only one learned key to be needed when adding additional keys instead of 2 learned keys. Requires a Fleet or Government type order.
9L7	UPFITTER SWITCH KIT - Provides 5-30 amp circuits to facilitate installation of aftermarket electrical accessories. Kit with all required parts will be shipped loose with the truck for installation by the dealer or upfitter. Installation instructions and technical assistance available at www.gmupfitter.com .
6J4	WIRING - Horn and siren circuit. Requires Kerr Industries ship thru (GEZ).
6J3	WIRING - Provisions for grille lamps and siren speakers. Requires Kerr Industries ship thru (GEZ).
ZLQ	WT FLEET CONVENIENCE PACKAGE - Includes: Remote Keyless Entry, EZ Lift power lock and release tailgate, cruise control, power mirrors. When ordered with WT Safety Package, power mirrors include Lane Change Alert with Side Blind Zone Alert ² and high-gloss mirror caps.
PGA	WT SAFETY PACKAGE - Includes (UD5) Front and Rear Park Assist ² , (UKC) Lane Change Alert with Side Blind Zone Alert ² , (UFG) Rear Cross Traffic Alert ² , (V46) Chrome front bumper, (VJH) Chrome rear bumper and (DP6) high gloss Black mirror caps. Includes Perimeter Lighting. Requires (PCV) WT Convenience Package or (ZLQ) WT Fleet Convenience Package and (KI4) 120-volt power outlet. 2WD models include (V76) recovery hooks. Not available with (UD7) Rear Park Assist.

OPTIONAL EXTERIOR FEATURES

VQO	ASSIST STEP - Black work step, Included with (PDW) Assist Step and Tonneau Value Package. Not available with any other assist steps.
VXW	ASSIST STEP - High Clearance Cast Step
PDR	ASSIST STEP AND TONNEAU PACKAGE - Includes (VOZ) Tri-fold hard tonneau cover, LPO and your choice of either (RVQ) 6" Black rectangular assist steps, LPO, (RVS) 4" Black round assist steps, LPO, (VXH) 6" chrome rectangular assist steps, LPO or (VXJ) 4" chrome round assist steps. Not available with (PDW) Assist Step and Tonneau Value Package, or any other assist steps or tonneau covers. Not available to order at this time
PDW	ASSIST STEP AND TONNEAU VALUE PACKAGE - Includes (VQO) Black work step, (63B) Tri-fold soft tonneau cover. Requires Crew Cab or Double Cab model. Not available with (PDR) Assist Step and Tonneau Package or any other assist steps or tonneau covers.

1. Service varies with conditions and location. Requires active OnStar service and paid AT&T data plan. Visit www.gmfleet.com/technology/connected-vehicle.html for details and limitations. 2. Read the vehicle owner's manual for important feature limitations and information.

VXH	ASSIST STEPS - Chromed tubular, 6" rectangular. Not available with any other assist steps.
VXJ	ASSIST STEPS - Chromed round 4". Not available with any other assist steps
RVQ	ASSIST STEPS - Black 6" tubular rectangular. Not available with any other assist steps
RVS	ASSIST STEPS - Black 4" round. Not available with any other assist steps
CGN	BEDLINER, CHEVYTEC SPRAY-ON - Black with Chevrolet logo (does not include spray-on liner on tailgate due to Black composite inner panel). Not available with (ZW9) pickup bed delete. Not available with any Ship Thrus EXCEPT (VCO), (VDT), (VYC) or (VYS).
B1J	REAR WHEEL HOUSE LINERS. Requires CGN spray on liner. Liners may be ordered separately as an LPO, S41
RW9	BEDSIDE STORAGE BOXES - Locking boxes over the wheel well hard plastic weatherproof storage (full length left and right side). Not available with (PDR) Assist Step and Tonneau Package, or (VOZ) Tri-fold hard tonneau cover. See OPTIONAL EQUIPMENT page for picture. Not available to order at this time.
5J9	CALIBRATION, TAILLAMP FLASHER, RED/WHITE - Calibration flashes white (backup) and red (brake lamps) alternately when activated. Requires CC10743 or CK10743 model and 5W4 Special Service Vehicle.
VQY	CHROME RECOVERY HOOKS - Requires 2WD model. Deletes and not available with (V76) Black recovery hooks
9G8	DAYTIME RUNNING LAMPS DELETE - Daytime Running Lamps and automatic headlamp control delete, deletes standard Daytime Running Lamps and automatic headlamp control features from the vehicle for police stealth surveillance.
9M4	DECAL AND NAME PLATE DELETE - Tailgate. Deletes all nameplates and decals on the pickup box tailgate. Not available with SEO (8F2) ornamentation delete.
9R1	DECAL DELETE - Pickup box Deletes the "4x4" decal from the side of the pickup box. Requires 4WD models only. Not available with SEO (8F2) ornamentation delete
S3U	FOG LAMPS - Front mounted, LED, Requires Fleet or Government order type.
AKO	GLASS - Deep tinted
6E2	KEY SINGLE - Complete vehicle fleet. Provides a single key with a specific code that is common to the door locks and ignition of all the vehicles in the vehicle fleet. Key code is an alternate to SEO 6E8 complete vehicle fleet common key.
6E8	KEY SINGLE - Complete vehicle fleet. Provides a single key with a specific code that is common to the door locks and ignition of all the vehicles in the fleet. Key code is an alternate to SEO 6E2.
5H1	KEY EQUIPMENT - Two additional keys for single key system. Provides two additional spare keys for a total of (4). (Keys will be cut but not programmed). Programming of keys is at customer's expense. Programming keys is not a warranty claim.
UF2	LED CARGO AREA LIGHTING - Located in pickup bed, activated with switch on center switch bank or key fob
VK3	LICENSE PLATE KIT - Front (will be shipped to orders with ship-to states that require front license plate)
DP6	MIRROR CAPS, PAINTED - Body-color. High gloss Black Included and only available with (PQA) WT Safety Package.
DLF	MIRRORS, OUTSIDE HEATED POWER ADJUSTABLE - Included and only available with (PCV)WT Convenience Package or (ZLQ) WT Fleet Convenience Package. When (PQA) WT Safety Package is ordered, includes (DP6) high gloss Black mirror caps.
QK2	MULTI-FLEX TAILGATE - Six function gate (Primary, easy access, load stop, full width step, inner gate load stop, inner gate work surface) available midyear.
8F2	ORNAMENTATION, DELETE - Deletes decals and nameplates on truck exterior
9V5	PAINT - Solid, Woodland Green All normally body colored non-sheet metal parts will be Black May require extended lead time. Door handles and mirrors will be grain Black Deletes standard/packaged body side moldings. Requires (TGK) Special Paint and (01U) Special Paint.
9W3	PAINT - Solid, Wheatland Yellow. All normally body colored non-sheet metal parts will be Black May require extended lead time. Door handles and mirrors will be grain Black Deletes standard/packaged body side moldings. Requires (TGK) Special Paint and (01U) Special Paint.
9W4	PAINT - Solid, Tangier Orange. All normally body colored non-sheet metal parts will be Black May require extended lead time. Door handles and mirrors will be grain Black Deletes standard/packaged body side moldings. Requires (TGK) Special Paint and (01U) Special Paint.
SFW	REAR BACKUP ALARM CALIBRATION - This calibration will allow installation of an aftermarket backup alarm. Not available with SEO (8S3) backup alarm.
V76	RECOVERY HOOKS - Front, frame-mounted, Black Standard with 4WD models. Available with 2WD models. NOTE: Front recovery hooks are for vehicle recovery only. To avoid the risk of injury, never use recovery hooks to tow a vehicle.
01U	SPECIAL EXTERIOR SPECIAL EXTERIOR COLOR - All normally body colored non-sheet metal parts will be black including front fender extensio ns, cab spoiler on Double & Crew cabs and LT trim door handles. May require extended lead time.
VQK	SPLASH GUARDS, MOLDED - Black (see optional equipment section for illustration)
7X2	SPOTLAMPS - Left and right-hand pillar mounted, LED. Requires (GEZ) Kerr Industries ship thru.
7X3	SPOTLAMP - Left-hand pillar mounted, LED. Requires (GEZ) Kerr Industries ship thru.
7X6	SPOTLAMP - Left-hand pillar mounted, Halogen. Requires (GEZ) Kerr Industries ship thru.
7X7	SPOTLAMPS - Left and right-hand pillar mounted, Halogen. Requires (GEZ) Kerr Industries ship thru.
SAF	TIRE CARRIER LOCK - Keyed cylinder lock utilizes same key as ignition and door
RHM	TIRE, SPARE - LT265/70R17 all-terrain, blackwall 1 - When equipped with (E63) Durabed, included and only available with (RC5) LT265/70R17C all-terrain, blackwall tires. Available with and requires (RC5) LT265/70R17C all-terrain, blackwall tires.
XCQ	TIRE, SPARE - 265/70R17SL all-season, blackwall. Requires (QDV) 265/70R17 all-terrain blackwall tires or all 18" wheels and tires
QDV	TIRES - 265/70R17 all-terrain, blackwall
RC5	TIRES - LT265/70R17C all-terrain, blackwall. Includes spare tire

R30	TIRES, LT275/65R18C MT - Goodyear Wrangler DuraTrac, Blackwall. Requires (Z71) Off-Road Package and (PZX) 18" Bright Silver painted aluminum wheels
6M9	TIRE, SPARE 265/70R17 - Replaces the standard blackwall all-season spare tire with all-terrain tread spare matching road tires. Requires 4WD model and (QDV) 265/70R17 all-terrain, blackwall tires. Not available with (5Z4) spare wheel, carrier and lock delete
VQT	TONNEAU COVER - Hard tri-folding with vinyl cover, Requires (UF2) LED Cargo Box Lighting
63B	TRI-FOLD SOFT TONNEAU COVER - Included with (PDW) Assist Step and Tonneau Value Package, LPO. Not available with any other tonneau cover.
VOZ	TRI-FOLD HARD TONNEAU COVER - Included with (PDR) Assist Step and Tonneau Package, Not available with any other tonneau cover. Not available to order at this time.
PZX	WHEELS - 18" x 8.5" (45.7 cm x 21.6 cm) Bright Silver painted aluminum. Requires Crew Cab or Double Cab model, (Z71) Z71 Off-Road Package and (R3O) 265/70R18SL maximum traction tires.
Q5U	WHEELS - 17" x 8" (43.2 cm x 20.3 cm). Bright Silver painted aluminum. Cannot be ordered with VYU Snow Plow Prep.
RPP	WHEELS - 17" x 8 (43.2 cm x 20.3 cm). Black painted steel.
SFE	WHEEL LOCKS - Set of 4
5Z4	WHEEL, SPARE - Carrier and lock delete. Deletes the base spare wheel, carrier and lock. Does not delete jack or tools. Requires SEO (9L3) spare tire delete. Not available with (RC3). Tires, 265/70R17 all-terrain, blackwall.
00A	WHEEL, SPARE - Upgrade. Replaces Black standard spare wheel and upgrades to a matching Silver steel road wheel. Includes tire pressure monitoring sensor. Requires (RD6) painted steel wheels. Not available with SEO. (5Z4) spare wheel, carrier and lock delete.
R13	WT APPEARANCE PACKAGE - Includes (V46) Chrome front bumper, (VJH) Chrome rear bumper and (Q5U) 17" Bright Silver painted aluminum wheels. Not available with (Z71) Off-Road Package.

OPTIONAL MECHANICAL FEATURES

K47	AIR FILTER, HIGH CAPACITY - Included in (5W4) Special Service Package,
K05	ENGINE BLOCK HEATER
FHS	E85 FLEX FUEL CAPABLE - Can run on unleaded or up to 85% ethanol. Requires (L82) 5.3L EcoTec3 V8 engine. The E85 capable engine is not available with YK9, cylinder deactivation disabled.
R9Y	FLEET MAINTENANCE CREDIT - This option code provides a credit in lieu of the free oil changes, tire rotations and inspections otherwise included for one maintenance service during 1st year of ownership. The invoice will detail the applicable credit. The customer will be responsible for all oil change, tire rotations and inspections costs for this vehicle. Requires one of the following Fleet or Government order types: FBC, FBN, FCA, FCN, FLS, FNR, FRC or FGO. Not available with FDR order types.
9C2	GOVERNOR, ELECTRONIC SPEED SENSOR SET TO 65 MPH - Provides electronic software to limit maximum road speed to 65-MPH. Cruise control limited to 60 MPH.
9B9	GOVERNOR, ELECTRONIC SPEED SENSOR SET TO 70 MPH - Provides electronic software to limit maximum road speed to 70-MPH. Cruise control limited to 65 MPH
9D7	GOVERNOR, ELECTRONIC SPEED SET TO 75 MPH - Provides electronic software to limit maximum road speed to 75-MPH. Cruise control limited to 70 MPH.
Z71	OFF-ROAD PACKAGE - Off-Road Package, Includes (Z71) Off-Road suspension, (JHD) Hill Descent Control, (NZZ) skid plates, (K47) heavy-duty air cleaner and Z71 hard badge. Requires 4WD model, (Z82) Trailering Package and AT or MT tires. Includes (G80) locking differential and (NQH) 2-speed transfer case. Not available with (R13) WT Appearance Package.
G80	REAR DIFFERENTIAL - Heavy-duty locking
JL1	TRAILER BRAKE CONTROLLER - integrated (requires Z82 trailering package)
NQH	TRANSFER CASE, TWO-SPEED - Electronic Autotrac with rotary dial control (4WD models only) Included and only available with (Z71) Off-Road Package.
Z82	TRAILERING PACKAGE - Includes trailer hitch, 7-pin and 4-pin connectors and (CTT) Hitch Guidance ¹ with (L82) 5.3L EcoTec3 V8 engine requires (G80) locking differential
NZZ	SKID PLATES - Included with (BAQ) Work Truck Package, (Z71) Off-Road Package or (VYU) Snow Plow Prep Package.
VKZ	SHIP THRU - Produced in Silao Assembly and shipped to Kerr Industries. Returned to Arlington Assembly for shipping to final destination (Dealer Invoice = \$510.00) .
BAQ	WORK TRUCK PACKAGE - Includes (NZZ) skid plates and (K47) heavy-duty air cleaner. Requires 4WD model, (QDV) 265/70R17 blackwall all-terrain tires or (RC5) LT265/70R17C all-terrain tires. Not available with (Z71) Z71 Off-Road Package or (VYU) Snow Plow Prep Package

NOTE: See dealer for additional dealer installed accessories.

1. Read the vehicle owner's manual for important feature limitations and information

SPECIFICATIONS

2-WHEEL DRIVE			4-WHEEL DRIVE		
Model	CC10543 Short Box	CC10743 STD Box	Model	CK10543 Short Box	CK10743 STD Box
Projected top speed ¹ (without equipment)	Varies by tire. See Tire Chart.		Projected top speed ¹ (without equipment)	Varies by tire. See Tire Chart.	
Projected top speed in reverse (without equipment)	23 mph	23 mph	Projected top speed in reverse (without equipment)	23 mph	
EPA-ESTIMATED MPG GASOLINE FUEL ECONOMY RATINGS			EPA-ESTIMATED MPG GASOLINE FUEL ECONOMY RATINGS		
5.3L gas engine 2WD (City/Highway/Combined)	15/21/17	15/21/17	5.3L gas engine 4WD (City/Highway/Combined)	15/20/17	15/20/17
5.3L with YK9, cylinder deactivation disabled.	14/21/16	14/21/16	5.3L with YK9, cylinder deactivation disabled.	14/20/16	14/20/16
VEHICLE WEIGHT (LBS./KG.)			VEHICLE WEIGHT (LBS./KG.)		
Seating capacity (F/R)	3/3	3/3	Seating capacity (F/R)	3/3	3/3
GVWR ³ (Gross Vehicle Weight Rating)	6800/3084	6800/3084	GVWR ³ (Gross Vehicle Weight Rating)	7000/3175	7000/3175
FGAWR (Front Gross Axle Weight Rating)	3700/1678	3700/1678	FGAWR (Front Gross Axle Weight Rating)	3800/1724	3800/1724
RGAWR (Rear Gross Axle Weight Rating)	3800/1724	3800/1724	RGAWR (Rear Gross Axle Weight Rating)	3800/1724	3800/1724
Payload ⁴	2030/921	1960/889	Payload ⁴	2020/916	1970/894
Base curb weight	4702/2133	4772/2165	Base curb weight	4915/2229	4965/2752
Maximum Trailing Capacity ⁵	9700/4400	9600/4350	Maximum Trailing Capacity ⁵	9500/4310	9400/426

PASSENGER COMPARTMENT VOLUME (cu.ft./liters)

	CC10543	CK10543	CC10743	CK10743
Passenger Volume	138.6	138.6	138.6	138.6

FRONT COMPARTMENT (in./mm)

	CC10543	CK10543	CC10743	CK10743
Head room	43.03/1093	43.03/1093	43.03/1093	43.03/1093
Shoulder room	66.02/1677	66.02/1677	66.02/1677	66.02/1677
Hip room	61.18/1554	61.18/1554	61.18/1554	61.18/1554
Leg room	44.53/1131	44.53/1131	44.53/1131	44.53/1131

REAR COMPARTMENT (in./mm)

	CC10543	CK10543	CC10743	CK10743
Head room	40.12/1019	40.12/1019	40.12/1019	40.12/1019
Shoulder room	65.16/1655	65.16/1655	65.16/1655	65.16/1655
Hip room	60.24/1530	60.24/1530	60.24/1530	60.24/1530
Leg room	43.4/1102	43.4/1102	43.82/1113	43.82/1113

*NOTE: Published dimensions indicated are without optional equipment or accessories. Additional accessories or equipment ordered at the customer's request can result in a minor change in these dimensions

CARGO

	CC10543	CK10543	CC10743	CK10743
Cargo volume ¹ , cargo box, cu. ft./liters	62.9/1781.3	62.9/1781.3	71.7/2030.5	71.7/2030.5

EXTERIOR (in./mm)

	CC10543	CK10543	CC10743	CK10743
Wheelbase	147.43/3745	147.43/3745	156.9/3886	156.9/3886
Overall length	231.7/5885	231.7/5885	241.2/6126	241.2/6126
Body width (without mirrors)	81.24/2063	81.24/2063	81.3/2065	81.3/2065
Overall height*	75.49/1917	75.51/1918	75.51/1918	75.51/1918
Front bumper to back of cab	150.9/3833	150.9/3833	150.9/3833	150.9/3833
Inside length of box at floor	69.92/1776	69.92/1776	79.44/2018	79.44/2018
Inside height, bed	22.4/569	22.4/569	22.4/569	22.4/569
Inside bed width	71.4/1814	71.4/1814	71.4/1814	71.4/1814
Inside width, between Wheelhousing, Fleetside	50.63/1286	50.63/1286	50.63/1286	50.63/1286
Turning diameter, curb-to-curb, ft. (m)	46.3/14.1	46.3/14.1	49.5/15.1	49.5/15.1
Ground clearance,*	7.89/200	8.09/205	7.75/197	7.95/202

*Published dimensions indicated are at Base Curb Weight.

1. Adding non dealer accessories or making modifications to the vehicle can affect vehicle performance, aerodynamics, and overall top speed. 2. Cargo and load capacity limited by weight and distribution. 3. Gross Vehicle Weight Rating (GVWR). When properly equipped, includes vehicle, passengers, cargo and equipment. 4. These maximum payload ratings are intended for comparison purposes only. Before you buy a vehicle or use it to haul people or cargo, carefully review the vehicle loading section of the Owner's Manual and check the carrying capacity of your specific vehicle on the label on the inside of the driver's door jamb. 5. Before you buy a vehicle or use it for trailering, carefully review the Trailering section of the Owner's Manual. The weight of passengers, cargo and options or accessories may reduce the amount you can tow. 6. Published dimension indicated is from ground and without optional equipment or accessories. Additional accessories or equipment ordered at the customer's request can result in a minor change in this dimension

SPECIFICATIONS

ENGINE	STANDARD
Type	EcoTec3 V8
Displacement: liters/cu. in.	5.3/325
Horsepower/rpm	355 @ 5600
Torque lb.-ft./rpm	383 @ 4100
Induction system	Direct Injection
Compression ratio	11.0:1
Exhaust	Single
Minimum recommended fuel octane	87
Fuel capacity, approximate, gallon/liters	24/91
Oil with filter (quarts/liters)	8.5/8
Cooling capacity (quarts/liters)	17.4/16.5

TRANSMISSION	
Automatic electronic with overdrive	6-Speed
Fluid pan removed and filter replaced (quarts/liters)	6.0/5.7

AXLE	
Ratio	3.42

BRAKES	
ABS with vacuum-boost	Disc/Disc
Front-swept area (sq. in./sq. cm)	257.42/1660.76
Rear-swept area (sq. in./sq. cm)	263.74/1701.58
Total front and rear swept area (sq. in./sq. cm)	521.16/3362.32
Front rotor diameter (in./mm)	13.50/343
Rear rotor diameter (in./mm)	13.58/345
Front rotor thickness (in./mm)	1.18/30
Rear rotor thickness (in./mm)	.79/20

TIRES	
Type	All Season, Blackwall
Size	255/70R17

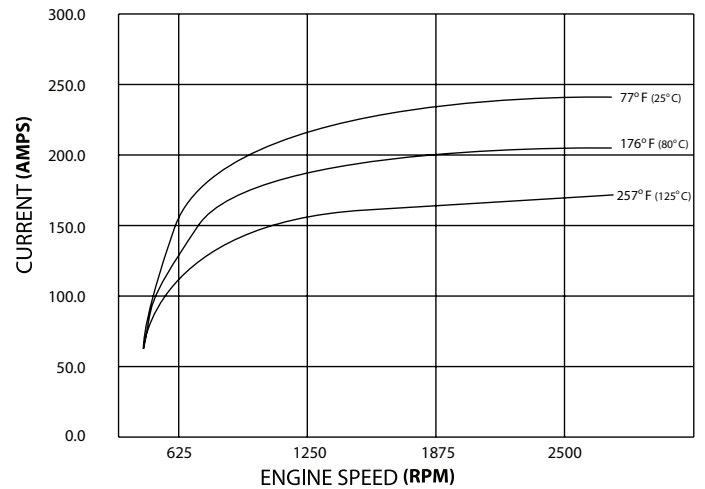
WHEELS	
Type	Painted Steel
Size	17" x 8"

CHASSIS	
Frame	Full perimeter steel
Front suspension	Coil over shock with 35mm twin tube shocks
Rear suspension	2-stage multi-leaf springs, semi-elliptic
Steering type	Electric Rack and Pinion
Steering ratio	NA

BATTERY	
Type	Maintenance free
BCI group size	LN3
Volts	12
Amp hour rating	70
Cold cranking-amps @ 0°F (-18°C)	730

ALTERNATOR	
Type	MELCO GX9
Amps	77°F (25°C) 220

SILVERADO SSV ALTERNATOR OUTPUT



BOOST LEVEL	PARK/NEUTRAL	DRIVE
Normal Idle	550	500
1	800	650
2	800	725
3	1000	800

SPECIFICATIONS

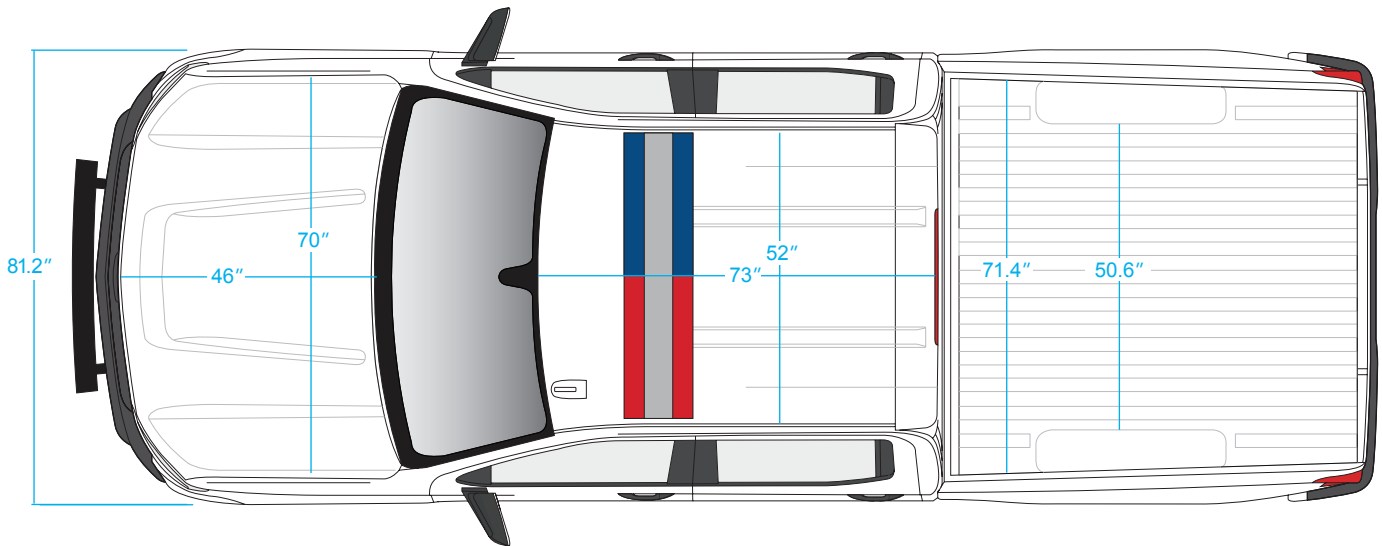
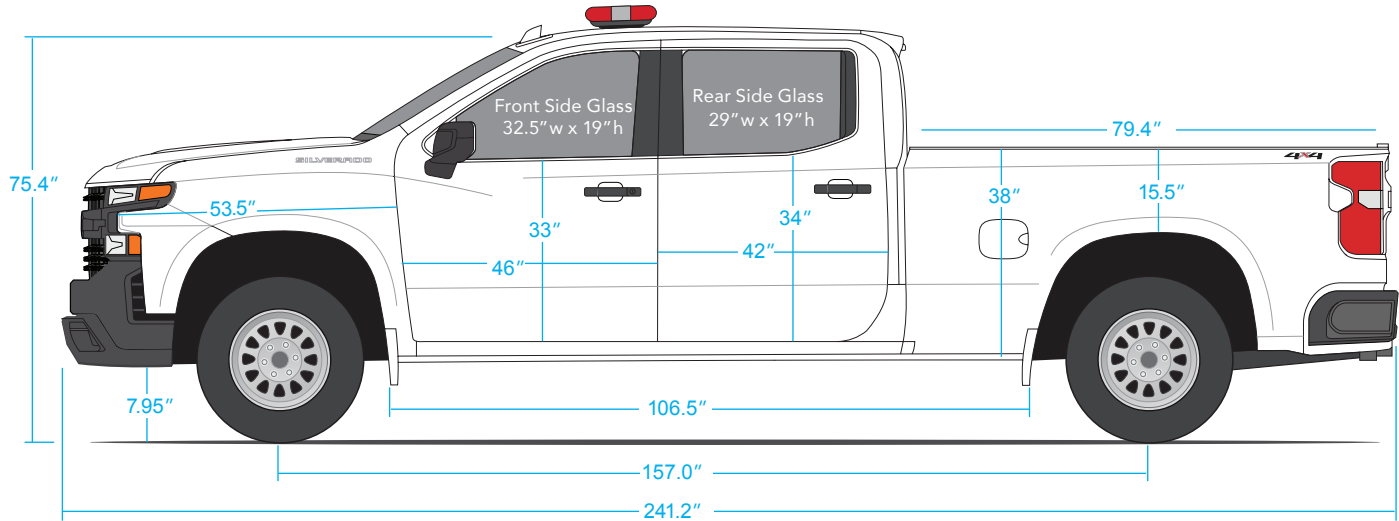
PROJECTED TOP SPEED WITH STANDARD AND OPTIONAL TIRES			
<small>NOTE. Adding accessories or making modifications to the vehicle can affect vehicle performance, aerodynamics, and overall top speed.</small>			
CODE	Tire Size	Vehicle Description	3.42 Ratio
QBN	255/70R17 (Standard)	2WD Short Box	99 mph
QDV	265/70R17 (Optional)	2WD Short Box	99 mph
RC5	LT265/70R17C (Optional)	2WD Short Box	99 mph
R30	LT275/65R18C MT DuraTrac (Optional)	2WD Short Box	99 mph
QBN	225/70R17 (Standard)	2WD Long Box	112 mph
QDV	265/70R17 (Optional)	2WD Long Box	112 mph
RC5	LT265/70R17C (Optional)	2WD Long Box	99 mph
R30	LT275/65R18C MT DuraTrac (Optional)	2WD Long Box	99 mph
QBN	225/70R17 (Standard)	4WD Short Box	105 mph
QDV	265/70R17 (Optional)	4WD Short Box	112 mph
RC5	LT265/70R17C (Optional)	4WD Short Box	99 mph
R30	LT275/65R18C MT DuraTrac (Optional)	4WD Short Box	99 mph
QBN	225/70R17 (Standard)	4WD Long Box	99 mph
QDV	265/70R17 (Optional)	4WD Long Box	99 mph
RC5	LT265/70R17C (Optional)	4WD Long Box	99 mph
R30	LT275/65R18C MT DuraTrac (Optional)	4WD Long Box	99 mph

TRAILERING SPECIFICATIONS - Automatic Transmission Ratings with Ball Hitch (L82) 5.3L EcoTec3 V8 DI VVT aluminum block		
MODEL	AXLE RATIO	MAXIMUM TRAILER TOWING LBS. (KG)
CC10543	3.42	9700(4400)
CK10543	3.42	9500(4310)
CC10743	3.42	9600(4350)
CK10743	3.42	9400(4260)

Maximum Trailer Towing Rating is calculated based on SAE J2807 (Base vehicle plus one driver plus one passenger plus options). The weight of other optional equipment, passengers and cargo will reduce the Maximum Trailer Towing your vehicle can tow.

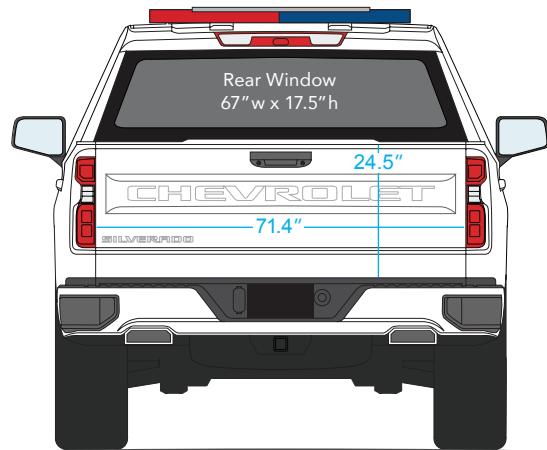
GCWR For Engine/Rear Axle Ratio Combination - Automatic Transmission		
MODEL	(GCWR) GROSS COMBINATION WEIGHT RATINGS LBS. (KG)	
(L82) 5.3L EcoTec3	3.42	15000 (6804)

DIMENSIONS SSV STANDARD BED

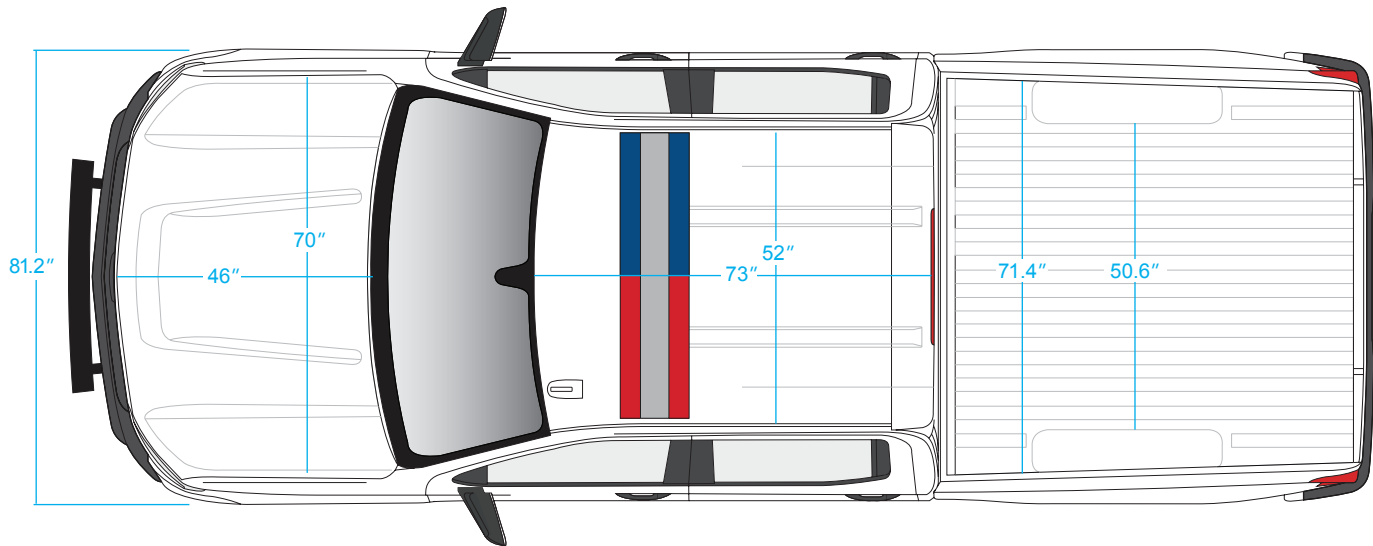
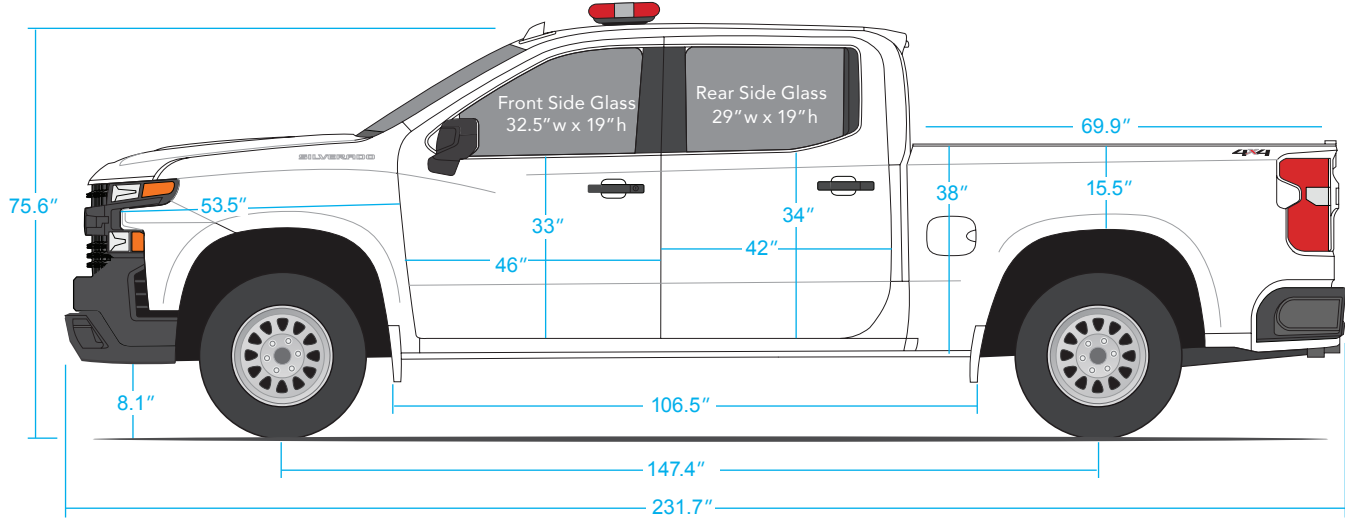


Estimated material sizes to wrap:

- Hood – 72" x 50"
- Front Doors – 50" x 36"
- Rear Doors – 45" x 37"
- Roof – 75" x 54"
- Tailgate – 69" x 26"

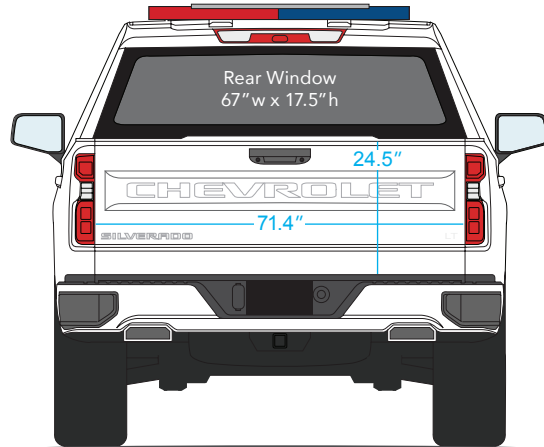


DIMENSIONS SSV SHORT BED



Estimated material sizes to wrap:

- Hood – 72" x 50"
- Front Doors – 50" x 36"
- Rear Doors – 45" x 37"
- Roof – 75" x 54"
- Tailgate – 69" x 26"



STANDARD WHEELS



OPTIONAL WHEELS WITH DEALER INSTALLED 2" LIFT



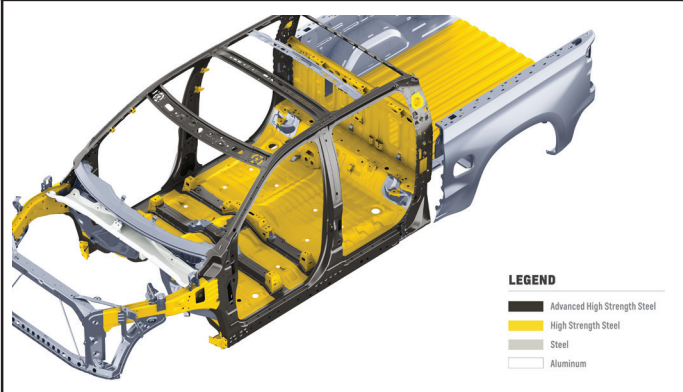
BODY, CAGE, UNDERBODY AND FRAME MATERIAL

BODY



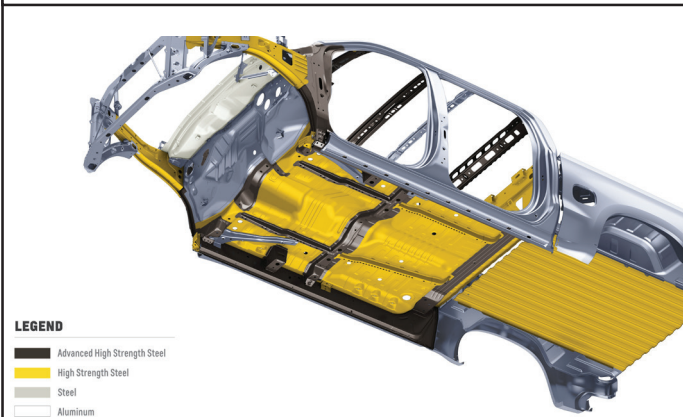
The all-new 2021 Chevrolet Silverado is up to 450 pounds lighter than the previous model through the use of mixed materials. Featuring fixed steel body components and aluminum swing panels (doors, hood, tailgate) the body is up to 88 pounds lighter

CAGE



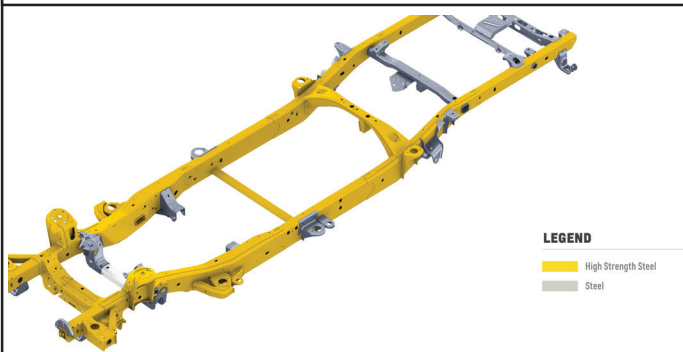
The all-new 2021 Chevrolet Silverado is 450 pounds lighter due to the extensive use of mixed materials. The underlying safety cage features significant use of advanced high strength steels, each tailored for the specific application.

UNDERBODY



The 2021 Chevrolet Silverado is up to 450 pounds lighter than the previous model due to extensive use of mixed materials.

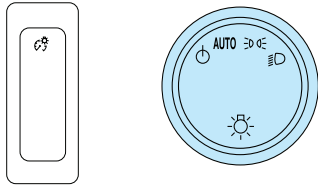
FRAME



The all-new 2021 Chevrolet Silverado features a fully boxed steel frame that is 88 pounds lighter than its predecessor, while offering 10 percent greater torsional rigidity. Eighty percent of the frame is made of high-strength steel varying from 2 to 5 millimeters in thickness, and every millimeter is optimized for performance using a variety of processes, including hydroforming, roll forming, conventional stamping and tailor-rolled blanking.

STANDARD FEATURES

SURVEILLANCE FEATURE 5J3 MANUAL LAMP CONTROL 9G8



The headlamp control on the driver's side of the instrument panel operates the exterior lamps. If your Silverado does not have option 9G8, DELETE DAYTIME RUNNING LAMPS and AUTOMATIC HEADLAMPS, the Daytime Running Lamps and Automatic Headlamps can be turned OFF for one ignition cycle by rotating the headlamp control knob momentarily counter-clockwise. See your Silverado Owner's Manual.

Surveillance Feature: The Body Control Module (BCM) is calibrated to provide disabling of the exterior and interior automatic lighting. The BCM is located under the instrument panel to the left side of the steering column.

The Surveillance Feature can be activated by installing a terminated wire in cavity 21 of the Pink colored BCM connector X6. When a customer-provided terminated wire, e.g., GM #13582297, is installed in X6-21 and the wire is connected to vehicle ground via a customer switch, automatically controlled lighting is disabled or dimmed to Federally regulated level. BCM connector X6 is shown below. Note: If a White/Violet wire is in the BCM connector X6, cavity 21, remove the wire and tape back to the harness. The wire is not connected to another circuit; an engineering change to remove the wire is in progress.

Option SEO 9G8 - Delete Daytime Running Lamps and Automatic Headlamps. This option disables the Daytime Running Lamps and Automatic Headlamps control feature. Exterior lamps are only manually controlled (Option 9G8 is not available in Canada).

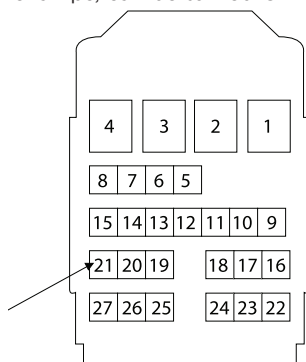
When the headlamp switch is in Auto with 9G8 installed, the instrument cluster, radio display and air conditioning illumination remains at daytime intensity and are dimmable only when the headlamp switch is rotated to the Parking Lamps or Headlamps positions. If SEO 9G8 is not installed, the displays are dimmable with the Headlamp switch in the AUTO position. The instrument cluster, radio and AC displays will dim if the Surveillance Feature is activated as described above.

Interior courtesy lamps, including dome lamps, can be turned OFF with a three-position switch located in the front overhead console. The interior lamp control positions are: OFF - DOOR - ON

When the switch is in the OFF position, all interior lighting remains off whenever the doors are opened.

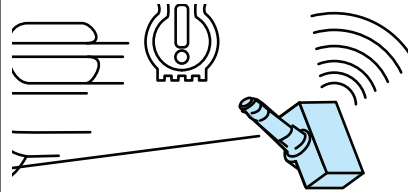
NOTE: Wiring connection or splice changes are to be removed before the vehicle is returned to civilian use.

CONNECTOR VIEWED FROM TERMINAL END



BCM Connector X6, Cavity 21

TIRE PRESSURE MONITOR WITH TIRE FILL ALERT



The Silverado 1500 Special Service Vehicle (SSV) 5W4 Crew Cab Package is equipped with a Tire Pressure Monitor System (TPMS) warns of low tire pressure. The Silverado SSV has an optional full size spare tire (OOA) which includes a spare tire pressure sensor. When the optional spare tire from your vehicle or another SSV is placed in use as a road wheel, the TPMS will not read the presence of the new TPM sensor and must be calibrated. Refer to your owner's manual for additional information about calibration of the TPMS. See also the Tire Fill Alert feature.

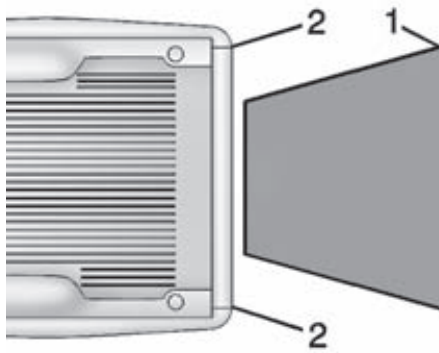
SERVICE PARTS IDENTIFICATION LABEL



A Service Parts Identification (SPID) Label provides Vehicle Identification Number (VIN)-specific Option Code content list, Engineering Model Number (Nameplate, body style), Exterior paint system, Exterior paint color code and Interior trim level and color.

STANDARD FEATURES

REAR VISION CAMERA



1. View Displayed by the Camera in infotainment Screen
2. Corners of the Rear Bumper

Displayed images may be farther or closer than they appear. The area displayed is limited and objects that are close to either corner of the bumper or under the bumper do not display.

When the vehicle is in R (Reverse), at low speeds the RVC displays an image of the area behind the vehicle in the center stack display. The previous screen displays when the vehicle is shifted out of R (Reverse) after a short delay. To return to the previous screen sooner, press a button on the infotainment system, shift into P (Park), or reach a vehicle speed of 8 km/h (5 mph).

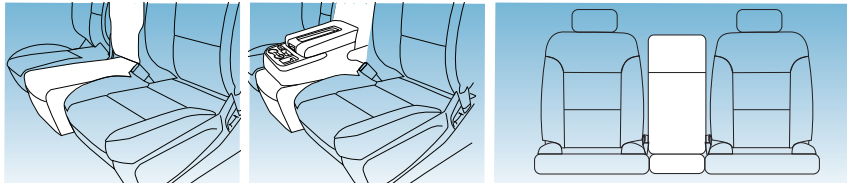
NOTE: The Rear Vision Camera will not work properly if the tailgate is down. If the tailgate is down, do not use this system.

Safety or driver assistance features are no substitute for the driver's responsibility to operate the vehicle in a safe manner. The driver should remain attentive to traffic, surroundings and road conditions at all times. Visibility, weather, and road conditions may affect feature performance. Read the vehicle's owner's manual for more important feature limitations and information.

FRONT SEATS AND INTERIOR TRIM

STANDARD FRONT ROW SEATING

STANDARD (AE7) - 40/20/40 SPLIT-BENCH IN VINYL TRIM 3-passenger, driver and front passenger manual recline with outboard head restraints, fold-down armrest with storage and fixed lumbar. Driver and front passenger seat adjuster are 4-way manual. Cloth trim and (A2X) 10-way power driver seat including lumbar is available and requires (ZLQ) WT Fleet Convenience Package.



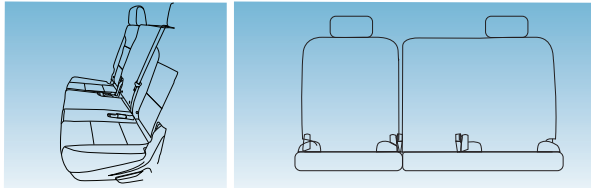
Seat Code	Seat Trim	Color	Color Code
AE7	Vinyl	Jet Black	H2G
AE7	Cloth	Jet Black	HOU

A2X Driver 10-way power seat including lumbar. Requires (ZLQ) WT Fleet Convenience Package.

REAR SEATS AND INTERIOR TRIM

STANDARD SECOND ROW SEATING

STANDARD - A68 VINYL REAR SEAT Vinyl rear bench 60/40 split-folding seat.

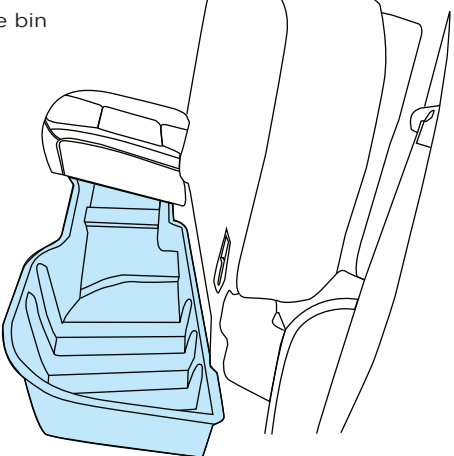


Seat Code	Seat Trim	Color	Color Code
A68	Vinyl	Jet Black	H2G
A52	Cloth	Jet Black	HOU

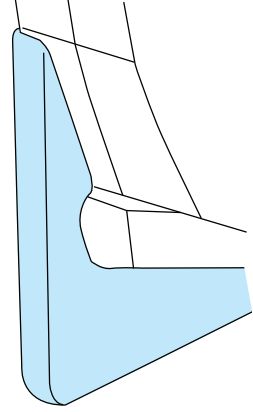
OPTIONAL FEATURES

VBJ REAR UNDERSEAT STORAGE

Composite storage bin

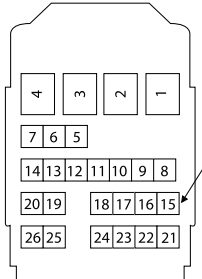


VQK SPLASH GUARDS, MOLDED



Black finish

5J9 REAR LAMPS FLASHING



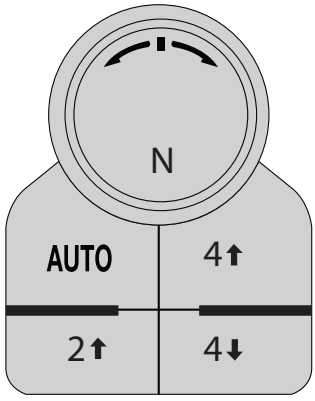
CONNECTOR VIEWED FROM TERMINAL END

The Silverado Special Service Package has a Body Control Module (BCM) calibration which will flash the stop lamps and backup lamps to provide an alternating red - white light pattern to the rear of the vehicle. The rear lamps flashing mode is interrupted when ever the service brakes are applied.

The rear lamps flashing is activated by a customer-provided switched ground connected at the natural colored BCM connector XI, cavity 15. The rear lamps flashing feature can be operated separately or when connected to a headlamps flashing module.


NOTE: Wiring connection or splice changes are to be removed before the vehicle is returned to civilian use.

NQH AUTOMATIC TRANSFER CASE



Active, 2-speed electronic Autotrac with rotary controls, includes neutral position for dingy towing. Use the transfer case knob next to the steering wheel to shift into and out of four-wheel drive.

RPP WHEELS



17 x 8 Black Painted Steel

Q5U WHEELS



17 x 8 Bright Silver painted aluminum (Included and only available with R13 Appearance Package)

OPTIONAL FEATURES

RW9 BEDSIDE STORAGE BOXES



Boxes are located on the left and right side.

GM PART
19417361

REAR UNDER SEAT COMBINATION LOCK BOX

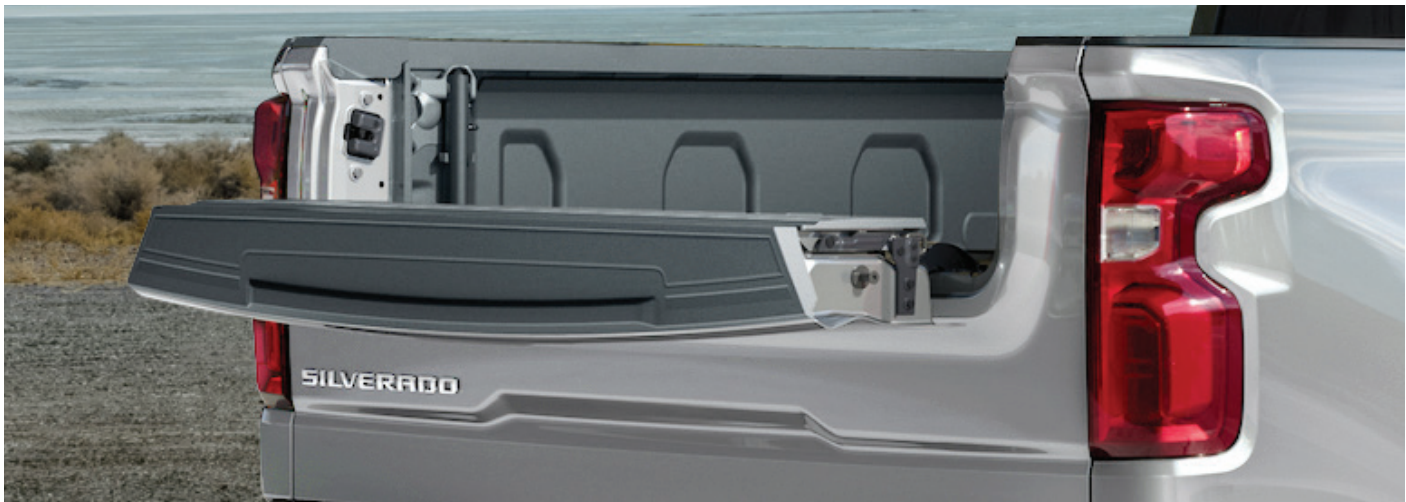


3,700 cubic inches of storage, 16-gauge steel construction, 3-digit combination with custom hook-cam. Marine-grade carpet lining with weather and dust seal. Pin-lock hinge design, no drilling required for installation.

OPTIONAL FEATURES

QK2

MULTI-FLEX TAILGATE



Six function gate (Primary, easy access, load stop, full width step, inner gate load stop, inner gate work surface) available midyear.

VXW

ASSIST STEP



High Clearance Cast Assist Step

POWERTRAIN

ENGINE				TRANSMISSION		AXLE	
OPTION CODE	TYPE	DISPLACEMENT SYSTEM	FUEL CODE	OPTION CODE	TYPE	OPTION	RATIO
L82	V8	5.3/325	DI, Active Fuel Management (YK9 disables Active fuel Management)	MYC	6L80 6-Speed auto. with OD	GU6	3.42

EMISSIONS - MUST BE SPECIFIED

FE9	Emissions , Federal requirements
YF5	Emissions , California state requirements
NE1	Emissions , Connecticut, Delaware, Maine, Maryland, Massachusetts, New Jersey, New York, Oregon, Pennsylvania, Rhode Island, Vermont and Washington state requirements
NB8	Emissions override , California (allows a dealer in states that require California emissions - California, Connecticut, Delaware, Maryland, Massachusetts, New Jersey, New York, Oregon, Pennsylvania, Rhode Island or Washington - to order Federal emissions for a vehicle that will be registered in a state that has Federal emission requirements). Do not use for vehicles that will be registered in California, Connecticut, Delaware, Maryland, Massachusetts, New Jersey, New York, Oregon, Pennsylvania, Rhode Island or Washington. Requires (FE9) Federal emissions requirements. Not available in Maine or Vermont.
NB9	Emissions override , state-specific (for dealers ordering vehicles in (YF5) or (NE1) emission states - California, Connecticut, Delaware, Maine, Maryland, Massachusetts, New Jersey, New York, Oregon, Pennsylvania, Rhode Island, Vermont and Washington) Allows a California dealer (YF5 emissions) to order (NE1) emissions with (NB9) emissions override code for registration in (NE1) states; or, a Connecticut, Delaware, Maine, Massachusetts, New Jersey, New York, Oregon, Pennsylvania, Rhode Island, Vermont and Washington dealer (NE1 emissions) to order (YF5) emissions with (NB9) emissions override code for registration in California.
NC7	Emissions override , Federal (for vehicles ordered by dealers in Federal emission states with (YF5) or (NE1) emissions - Not required for vehicles being shipped to California, Connecticut, Delaware, Maine, Maryland, Massachusetts, New Jersey, New York, Oregon, Pennsylvania, Rhode Island, Vermont or Washington) Requires (YF5) California state emissions requirements or (NE1) Connecticut, Delaware, Maine, Massachusetts, New York, Pennsylvania, Rhode Island or Vermont state emission requirements.

NOTE: The 2021 Chevrolet Silverado Special Service Vehicle with the 5.3L Engine (L82) with Emission Option Codes:
 FE9 NAME CERTIFICATION EMISSION, FEDERAL
 NE1 NAME CERTIFICATION EMISSION, GEOGRAPHICALLY RESTRICTED
 YF5 NAME CERTIFICATION EMISSION, CALIFORNIA is certified to EPA Tier 3 BIN 70 standards and qualifies as ULEV 70 (Ultra Low Emission Vehicle) under California Air Resources Board (CARB) requirements, meaning it is 50-state certified.
 EPA engine family or test group: MGMXT05.3388

TIRES

MANUFACTURER	QUANTITY	SIZE	SPEED RATING	TYPE
Random	5	255/70R17	S	All season BW

SPEEDOMETER CERTIFICATION CALIBRATION

Specifications at ambient temperature of -10 to 120 degrees F (-23 to 49 Celsius). Inaccuracies due to vehicle speed sensing are included.

ACTUAL VEHICLE SPEED	INDICATED SPEED
0 TO 120 MPH	+/- 2 MPH
0 TO 193 KPH	+/- 3 KPH

The speedometer calibration is for the 2019 Silverado 5W4 Special Service with the 5.3L engine, automatic transmission with a 3.42 axle and 255/70R17 tires

OnStar ASSURANCE

EMERGENCY SERVICES With Emergency Services[†], if a driver has a medical emergency on the road, pushing the red Emergency button connects them to an OnStar® Emergency-Certified Advisor who can provide crucial medical assistance until First Responders arrive.

STOLEN VEHICLE ASSISTANCE With Stolen Vehicle Assistance[†], once law enforcement confirms one of your vehicles has been stolen, OnStar Advisors are ready to help authorities recover it quicker and safer. Remote Ignition Block™: A remote signal that blocks the engine from restarting once it's turned off. Stolen Vehicle Slowdown®: After police confirm conditions are appropriate, OnStar can send a signal to gradually slow the vehicle's speed to help the authorities apprehend the thief and recover the vehicle.

AUTOMATIC CRASH RESPONSE Automatic Crash Response[†] can use built-in sensors to automatically alert an OnStar Emergency-Certified Advisor of a collision. The Advisor can use GPS technology to locate the driver's vehicle and send for help — even when the driver can't ask for it. Injury Severity Prediction: Data collected at impact can help predict the likelihood of severe injuries. Crash data can help OnStar Advisors inform First Responders about the situation, so your drivers receive the help they need.

ONSTAR ASSURANCE RPO CODES

RPO	CODE DESCRIPTION	PRICE	TOTAL MONTHS COVERED WITH 3 FREE TRIAL MONTHS OF SAFETY &			REQUIREMENTS	RESTRICTIONS
			SECURITY	MODEL YEAR			
PIR	OnStar Assurance 1-Year Coverage	\$90.00	12	2021		Requires (UE1) OnStar.	Not available with P1S, P1T, P1U, R7Z, R8K, R8T
P1S	OnStar Assurance 2-Years Coverage	\$210.00	24	2021		Requires (UE1) OnStar.	Not available with P1R, P1T, P1U, R7Z, R8K, R8T
P1T	OnStar Assurance 3-Years Coverage	\$330.00	36	2021		Requires (UE1) OnStar.	Not available with P1R, P1S, P1U, R7Z, R8K, R8T
P1U	OnStar Assurance 4-Years Coverage	\$450.00	48	2021		Requires (UE1) OnStar.	Not available with P1R, P1S, P1T, R7Z, R8K, R8T
R7Z	OnStar Assurance 5-Years Coverage	\$570.00	60	2021		Requires (UE1) OnStar.	Not available with P1R, P1S, P1T, P1U, R8K, R8T

OnStar VEHICLE INSIGHTS™

Keep track of your daily operations and get the information you need to make better, more informed decisions with OnStar Vehicle Insights[†]

DRIVER PERFORMANCE INSIGHTS Provides owners and managers with driver information and real-time alerts. Facets of driver data[†] are collected and organized from sudden acceleration and hard braking, speed violations, how long vehicles remain in locations and notifications when it crosses a customizable bounty that can be as small as a parking lot or as large as a country.

TRIP SUMMARIES Record and reference trip histories across your fleet and find efficiencies in your routing. Consider more than traffic and keep track of how your fleet moves over time.

VEHICLE LOCATION AND DIAGNOSTICS Vehicle Location[†] And Diagnostics[†] lets you see your fleet move in real-time and get alerts on things like oil life, fuel efficiency and preventative maintenance schedules to avoid costly downtime.

ONSTAR VEHICLE INSIGHTS RPO CODES

RPO	CODE DESCRIPTION	PRICE	TOTAL MONTHS COVERED		MODEL YEAR	REQUIREMENTS	RESTRICTIONS
POV	OnStar Vehicle Insights 1-Year Service	\$183.00	12		2021	Requires (UE1) OnStar.	Not available with POW, POX, POY, POZ, R8K, R8T
POW	OnStar Vehicle Insights 2-Year Service	\$360.00	24		2021	Requires (UE1) OnStar.	Not available with POV, POX, POY, POZ, R8K, R8T
POX	OnStar Vehicle Insights 3-Year Service	\$522.00	36		2021	Requires (UE1) OnStar.	Not available with POV, POW, POY, POZ, R8K, R8T
POY	OnStar Vehicle Insights 4-Year Service	\$672.00	48		2021	Requires (UE1) OnStar.	Not available with POV, POW, POX, POZ, R8K, R8T
POZ	OnStar Vehicle Insights 5-Year Service	\$810.00	60		2021	Requires (UE1) OnStar.	Not available with POV, POW, POX, POY, R8K, R8T

1. OnStar plan, working electrical system, cell reception and GPS signal required. OnStar links to emergency services. See onstar.com for details and limitations.

[†] Terms Apply. Available on select properly equipped 2015 model year and newer GM vehicles (excludes Volt, Low Cab Forward Trucks and GM vehicles built without OnStar Hardware, which includes but is not limited to select base Chevrolet and GMC trucks). Requires an active connected vehicle services plan. Fees, services, and availability subject to change without notice. Applicable taxes not included. Does not include emergency or security services. Diagnostics capabilities vary by vehicle model. Not all issues will deliver alerts. See onstarvehicleinsights.com for details and limitations.

DRIVER REMOTE ACCESS

Provides your business with streamlined diagnostic insights, directions and the ability to use the vehicle mobile app as a key fob on their smart phone.

Remote Commands[†] puts the power of the key fob on your smartphone. Drivers can remotely start and stop the engine, control the locks[†], and activate the horn and lights using the vehicle mobile app if properly equipped.

Directions On The Go[†] sends directions to your in-vehicle navigation system from the mobile app of properly equipped vehicles.

Provides drivers with information about select vehicle systems. Get alerts for tire pressure, oil life, fuel level and more through the vehicle mobile app if properly equipped.

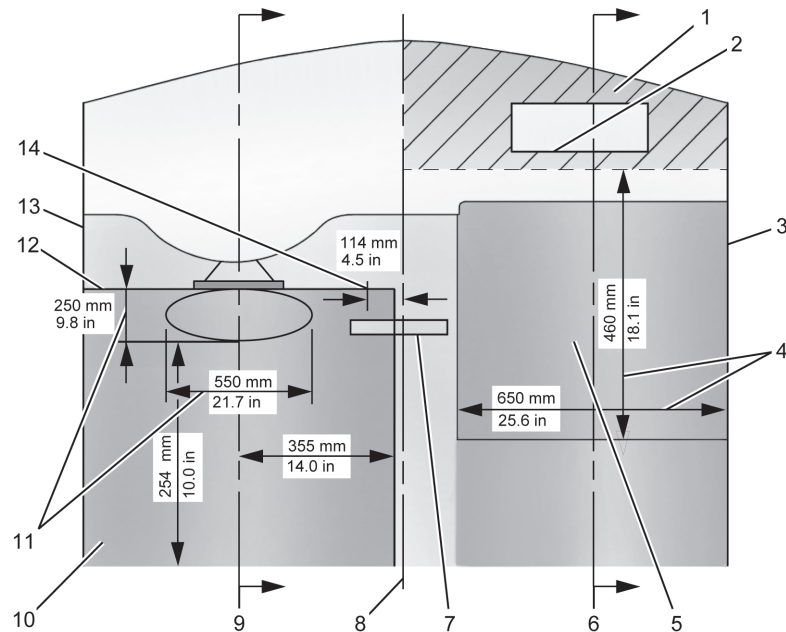
ONSTAR VEHICLE INSIGHTS RPO CODES

TOTAL MONTHS COVERED WITH 3 FREE TRIAL MONTHS OF SAFETY &						
RPO	CODE DESCRIPTION	PRICE	SECURITY	MODEL YEAR	REQUIREMENTS	RESTRICTIONS
POM	OnStar Assurance 2-Years Coverage	\$210.00	24	2021	Requires (UE1) OnStar.	Not available with P1R, P1T, P1U, R7Z, R8K, R8T
PON	OnStar Assurance 3-Years Coverage	\$330.00	36	2021	Requires (UE1) OnStar.	Not available with P1R, P1S, P1U, R7Z, R8K, R8T
P00	OnStar Assurance 4-Years Coverage	\$450.00	48	2021	Requires (UE1) OnStar.	Not available with P1R, P1S, P1T, R7Z, R8K, R8T

1. Driver Remote Access Plan does not include emergency or security services. See OnStar.com/BusinessSolutions for details and limitations. Diagnostic capabilities vary by model and plan. Message and data rates may apply. Requires contact method on file and enrollment to receive alerts. Not all issues will deliver alerts. Tire pressure monitoring available on properly equipped vehicles. Does not monitor spare tire. Lock/unlock feature requires automatic locks. Remote start requires GM factory-installed and enabled remote start system. Mobile app Turn-by-Turn Navigation is subject to limitations and varies by vehicle model and connected device. Device data connection required. Map coverage available in the U.S., Puerto Rico and Canada.

AIRBAGS

INSTRUMENT PANEL TOP VIEW - APPROXIMATE FRONTAL AIRBAG DEPLOYMENT ZONES



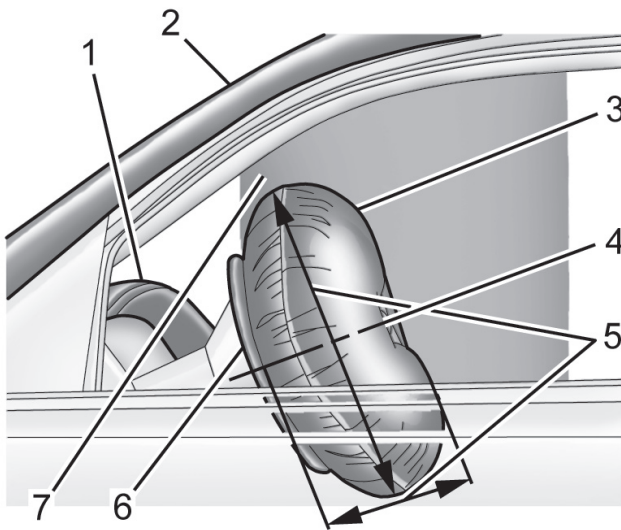
1. Passenger Side Instrument Panel Top Surface Zone
2. Frontal Outboard Passenger Airbag Module Trim Panel – Rear Edge
3. Passenger Side Door
4. Approximate Dimensions of Inflated Airbag
5. Frontal Outboard Passenger Airbag Deployment Zone
6. Passenger Centerline
7. Inside Rearview Mirror
8. Vehicle Centerline
9. Driver Centerline
10. Driver Airbag Deployment Zone
11. Driver Inflated Airbag Dimensions
12. Front of Steering Wheel (See also “Side View of Driver Frontal Airbag Deployment Zone” Following)
13. Driver Side Door
14. Shift Selector Arc

See Customer-Installed Equipment.

Sitting too close to an airbag when it deploys can increase the risk of serious injury or death. Always properly wear your seat belt. See Owner’s Manual for more information

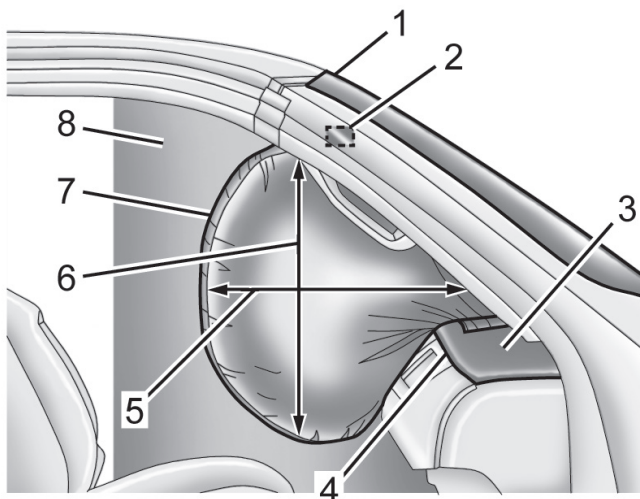
AIRBAGS

SIDE VIEW OF DRIVER FRONTAL AIRBAG DEPLOYMENT ZONE



1. Top of Instrument Panel
 2. Top Edge of Windshield
 3. Inflated Airbag - Steering Wheel
 4. Centerline of Steering Column at Mid-Tilt
 5. Driver Inflated Airbag Dimensions (250 mm (9.8 in) From Front of Steering Wheel and 550 mm (21.7 in) Diameter From Center of Steering Wheel)
 6. Front of Steering Wheel
 7. Driver Airbag Deployment Zone Including Inflated Driver Airbag
- See Customer-Installed Equipment.

SIDE VIEW OF FRONTAL OUTBOARD PASSENGER AIRBAG DEPLOYMENT ZONE

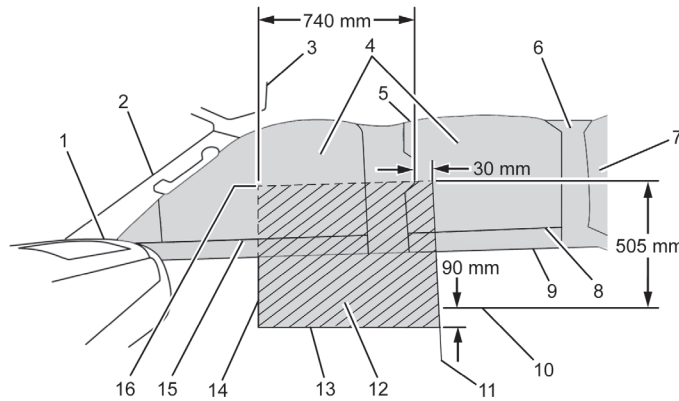


1. Top Edge of Windshield
 2. Inside Rearview Mirror
 3. Instrument Panel Top Surface Zone
 4. Frontal Outboard Passenger Airbag Module Trim Panel - Rear Edge
 5. Inflated Airbag - Horizontal Dimension (Approximately 460 mm (18.1 in))
 6. Inflated Airbag - Vertical Dimension (from Top of Occupant's Lap to Headliner)
 7. Inflated Airbag - Instrument Panel
 8. Frontal Outboard Passenger Airbag Deployment Zone
- See Customer-Installed Equipment.

Sitting too close to an airbag when it deploys can increase the risk of serious injury or death. Always properly wear your seat belt. See Owner's Manual for more information

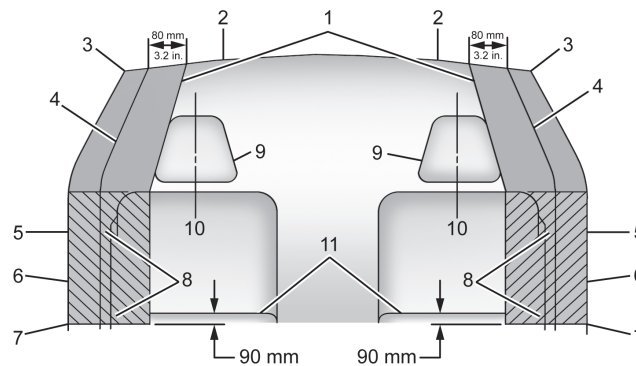
AIRBAGS

ROOF-RAIL MOUNTED HEAD-CURTAIN AIRBAG DEPLOYMENT ZONES - PASSENGER SIDE SHOWN, DRIVER SIDE SIMILAR



- | | |
|--|--|
| <ol style="list-style-type: none"> 1. Front of Deployment Zone at Bottom of Windshield Pillar Trim 2. A-Pillar Trim with Grab Handle (Passenger Side) 3. Sun Visor 4. Roof rail mounted head-curtain Airbag Deployment Zone - Seat Rows 1 and 2 and Cargo Area 5. Top of Roof rail mounted head-curtain Airbag Deployment Zone - Along Roof-rail at Edge of Headliner 6. C-Pillar Upper Trim 7. Rear Window 8. Top Edge of Rear Door Trim 9. Bottom Edge of Roof rail mounted head-curtain Airbag Deployment Zone at Top of Side Door Armrests 10. Top Surface of Front Seat Cushion (with Seat Fully Lowered) | <ol style="list-style-type: none"> 11. Rear Edge of Seat-Mounted Side Impact Airbag Deployment Zone (30 mm (1.2 in) Rearward of Back Edge of B-Pillar Trim Grab Handle) 12. Seat-Mounted Side Impact Airbag Deployment Zone 13. Bottom Edge of the Seat-Mounted Side Impact Airbag Zone (90 mm (3.5 in) Below Top of Seat Cushion with the Seat Fully Lowered) 14. Front Edge of Seat Mounted Side Impact Deployment Zone (740 mm (29.1 in) Forward of Back Edge of B-Pillar Trim Grab Handle) 15. Top Edge of Front Door Trim 16. Top Edge of Seat-Mounted Side Impact Deployment Zone (505 mm (19.9 in) Above Top Surface of Seat Cushion with the Seat Fully Lowered) |
|--|--|

ROOF RAIL MOUNTED HEAD CURTAIN AIRBAG - DRIVER AND OUTBOARD FRONT PASSENGER DEPLOYMENT ZONES - VIEW FROM REAR OF VEHICLE



- | | |
|---|--|
| <ol style="list-style-type: none"> 1. Roof-Rail Mounted Head-Curtain Airbag Deployment Zone 2. Underside of Headliner 3. Edge of Headliner 4. Inner Center and Rear Pillar Trim 5. Inner Front and Rear Door 6. Side Door Upper Armrests and Rear Quarter Trim Armrests | <ol style="list-style-type: none"> 7. Bottom Edge of Seat-Mounted Side Impact Airbag Deployment Zone (90 mm (3.3 in) Below Top Surface of Outboard Front Seat Cushion with Seat Fully Lowered) 8. Seat-Mounted Side Impact Deployment Zone 9. Front Seat Head Restraint 10. Seat Centerline 11. Top of Seat Cushion |
|---|--|

Sitting too close to an airbag when it deploys can increase the risk of serious injury or death. Always properly wear your seat belt. See Owner's Manual for more information

AIRBAGS FAQ

Q: Can equipment such as radar devices, video cameras, and radio trees be mounted in a specialty vehicle equipped with a right front passenger frontal airbag?

A: Yes, but care must be taken to properly mount the equipment outside of the airbag "deployment zone."

Q: What is the airbag "deployment zone"?

A: The term "deployment zone" describes the space an airbag takes up when fully inflated. Airbags need room to work properly, and anything in the "deployment zone" – such as improperly mounted equipment – can greatly affect the performance of the airbag.

Q: How can I identify the airbag "deployment zone" in my vehicle?

A: See Airbag Deployment Diagrams for more information. The diagrams provide the approximate dimensions of the "deployment zones" for your specialty vehicle. Before doing any service work, including the installation of any equipment, consult the appropriate service manual.

Q: Is it possible to shield equipment so it does not interfere with airbag deployment?

A: While shielding may protect certain equipment from being damaged or dislodged, it may also negatively affect how an airbag inflates. Therefore, we do not recommend the placement of any equipment in the deployment zone, even if shielded.

Q: Can the installation of push bumpers on the front end of the vehicle affect the deployment of the airbag?

A: It is not likely that installing push bumpers will affect deployment for the airbag as long as the vehicle structure itself is not modified. GM is not aware of any adverse defects effect on the deployment of the front airbags due to use of many aftermarket push bumpers installed on current GM police vehicles

See "Adding Equipment to the Airbag-Equipped Vehicle" in the owner manual for more information.

Customer-Installed Equipment

Before installing equipment, read the following.

Airbags inflate with great force, faster than the blink of an eye. No objects, such as shotguns, should be placed over or near the airbag covers. Equipment mounted too close to an inflating airbag could prevent the airbag from operating properly to protect the occupants or could be forced into an occupant or break and become a dangerous projectile, causing severe injury or even death. To help prevent injury and to allow the airbag to perform as it was designed, do not mount equipment inside the airbag deployment zones.

Do not attach anything to the steering wheel hub or mount any equipment within the deployment zone for the driver airbag.

Do not mount equipment on the passenger side of the instrument panel top pad deployment zone. Equipment should not be mounted on or around the passenger airbag opening because of a deploying airbag. To allow the airbag to perform as it was designed, do not mount equipment inside the airbag deployment zone.

Do not mount a security barrier such that the ends of the barrier or brackets are within the roof-rail airbag deployment zones.

Avoid installing wiring for roof-rail emergency lighting or radio antennas that may restrict the proper deployment of the roof-rail airbags.

GM approved service procedures must be followed to remove and reinstall the instrument panel to the pad to ensure proper airbag deployment.

The police vehicle has a rollover sensor mounted on the centerline of the vehicle between the driver and front outboard passenger positions. If the vehicle has individual front seats, the rollover sensor will be exposed. Do not mount equipment within 25 mm (1 in) of the rollover sensor. This may affect the performance of multiple restraint systems.

Always use seat belts and the correct restraint for your child's age and size, even with airbags. Even in vehicles equipped with the Passenger Sensing System, children are safer when properly secured in a rear seat in the appropriate infant, child or booster seat. Never place a rear-facing infant restraint in the front seat of any vehicle equipped with an active frontal airbag. See the Owner's Manual and the child safety seat instructions for more safety information.

MAINTENANCE / LIMITED WARRANTY

INCLUDED MAINTENANCE	One visit within first year of vehicle delivery ¹
BUMPER-TO-BUMPER LIMITED WARRANTY	3 years/36,000 miles ² . Bumper-to-Bumper Limited Warranty with no deductible
TRANSFERABLE POWERTRAIN LIMITED WARRANTY	Qualified Fleet Customers: 5 years/100,000 miles ³
TIRES⁴	3 years/36,000 miles ² ; coverage prorated after first 12,000 miles
ROADSIDE ASSISTANCE AND COURTESY TRANSPORTATION	Qualified Fleet Customers: 5 years/100,000 miles ³
RUST-THROUGH	6 years/100,000 miles ²
CORROSION	3 years/36,000 miles ²
WHEEL ALIGNMENT AND BALANCE	Up to 7,500 miles ⁶

1. Includes first required maintenance visit as stated in vehicle maintenance schedule. Maintenance visit consists of oil change, tire rotation and Multi-Point Vehicle Inspection. Does not include air filters. See participating dealer for other restrictions and complete details. Excludes vehicles ordered with fleet delete option RY9. **2.** Whichever comes first. See dealer for limited warranty details. **3.** Whichever comes first. A Qualified Fleet User is defined as a company that has purchased and registered or leased five (5) or more new cars/or trucks solely for use in its operation during the current or preceding calendar year, model year, preceding twelve (12) month period, or that owns or leases fifteen (15) or more cars and trucks. Excludes rental customers. See dealer for details. **4.** Tires also covered under the Bumper-to-Bumper Warranty but are prorated based upon mileage. See dealer for warranty details. **5.** If the vehicle has a warrantable failure, see your Owner's Manual for full details on the Courtesy Transportation program. **6.** Customer maintenance item after 7,500 miles.



GM reserves the right to make changes at any time, without notice, in prices, colors, materials, equipment, specifications, models, and availability. Specifications, dimensions, measurements, ratings, and other numbers in this catalog and other printed materials provided at the dealership or affixed to vehicles are approximates based upon design and engineering drawings and prototypes and laboratory tests. Your vehicle may differ due to variations in manufacture and equipment. Since some information may have been updated since the time of printing, please check with your GM dealer for complete details. Some of the equipment shown or described throughout this publication may be available at extra cost, and/or is supplied by an independent supplier.

Copyright 2020 General Motors. All rights reserved. All text, images, graphics, and other materials in this publication are subject to the copyright and other intellectual property rights of General Motors. These materials may not be reproduced, distributed, or modified without the express written permission of General Motors. The marks appearing in this publication including, but not limited to: GM and the GM logo; Chevrolet and their respective logos, emblems, slogans, and vehicle model names and body designs; and other marks such as GM Fleet and Commercial are trademarks and/or service marks of General Motors, its subsidiaries, affiliates, or licensors.

For more detailed information, contact your District Sales Manager or see the online order guide at gmfleet.com/police.

GENERAL MOTORS FLEET

